

MADE IN 

roost&root[®]
BUILT FOR LIFE.™



Help Text-line: 512-334-6610

EMAIL: support@roostandroot.com re: RVG Assembly Support

VOICE: 877-741-COOP | Assembly Support ext 3

Assembly Instructions

Raised Vegetable Gardens



These written instructions, as provided with your purchase, will always be the latest iteration of the instructions and match the product shipped and provide the most complete up-to-date information.

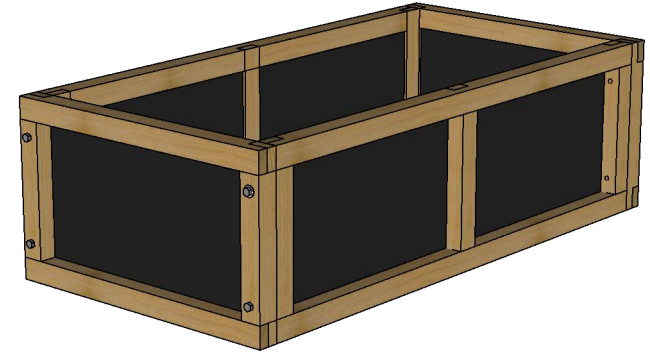
We depend on feedback about our instructions to implement changes to future versions. Please know that we value your input to that ongoing process and endeavor to produce instructions that are as effective as possible for a wide variety of customers.



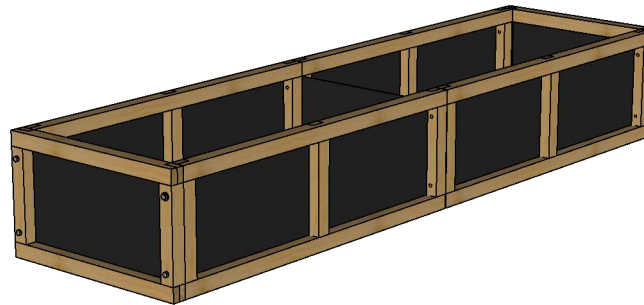
You Tube

Use your phones camera to read QR Code.
Representation of procedure... not instructions.

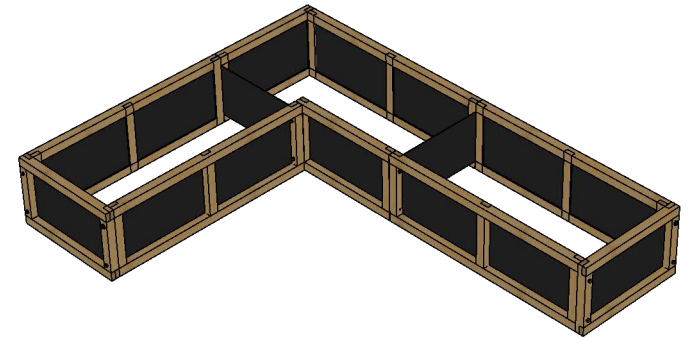
2x4 Rased Garden Bed



2x8 Raised Garden Bed



24" Corners



V5.1

Spring
2025

Copyright © Endure Products, LLC... all rights reserved. This document is provided to you for your own personal limited use as a paying customer to assemble your product. We consider these instructions company intellectual property and are granting you limited personal use only. Do not copy or distribute without written permission of Endure Products, LLC. We claim all available Federal protection for our various trade names, our protected designs and trade dress as is allowed by any and all Federal intellectual property protection laws. We invest heavily in your product and work very hard to do a good job and it is only fair that our workers benefit for their hard work.



Your 1/2" Wrench

or



1/2" Socket

Spiked side towards wood



Provided 5/16 T-Nuts

+

+



Provided 5/16 Washers

+



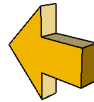
Provided 5/16 Bolts

Before You Get Started...

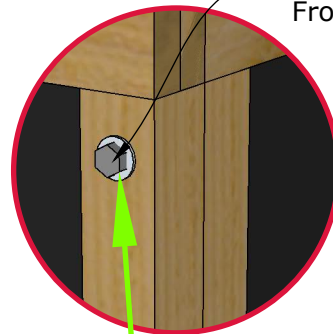
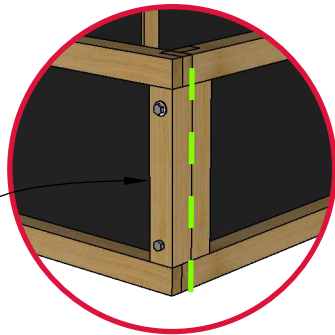
Look For This Note Symbol



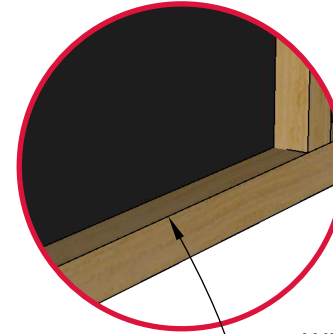
Gold arrows indicate the placement of a 5/16 bolts, with washer, backed by a t-nut.



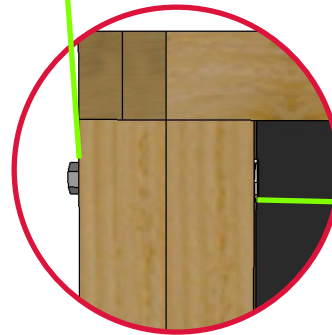
Make all edges flush during assembly unless otherwise noted.



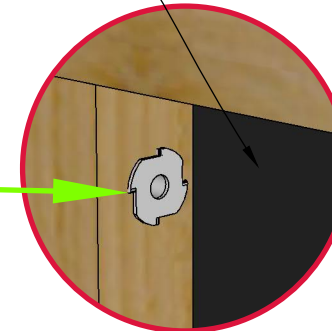
Bolt With Washer Front Side

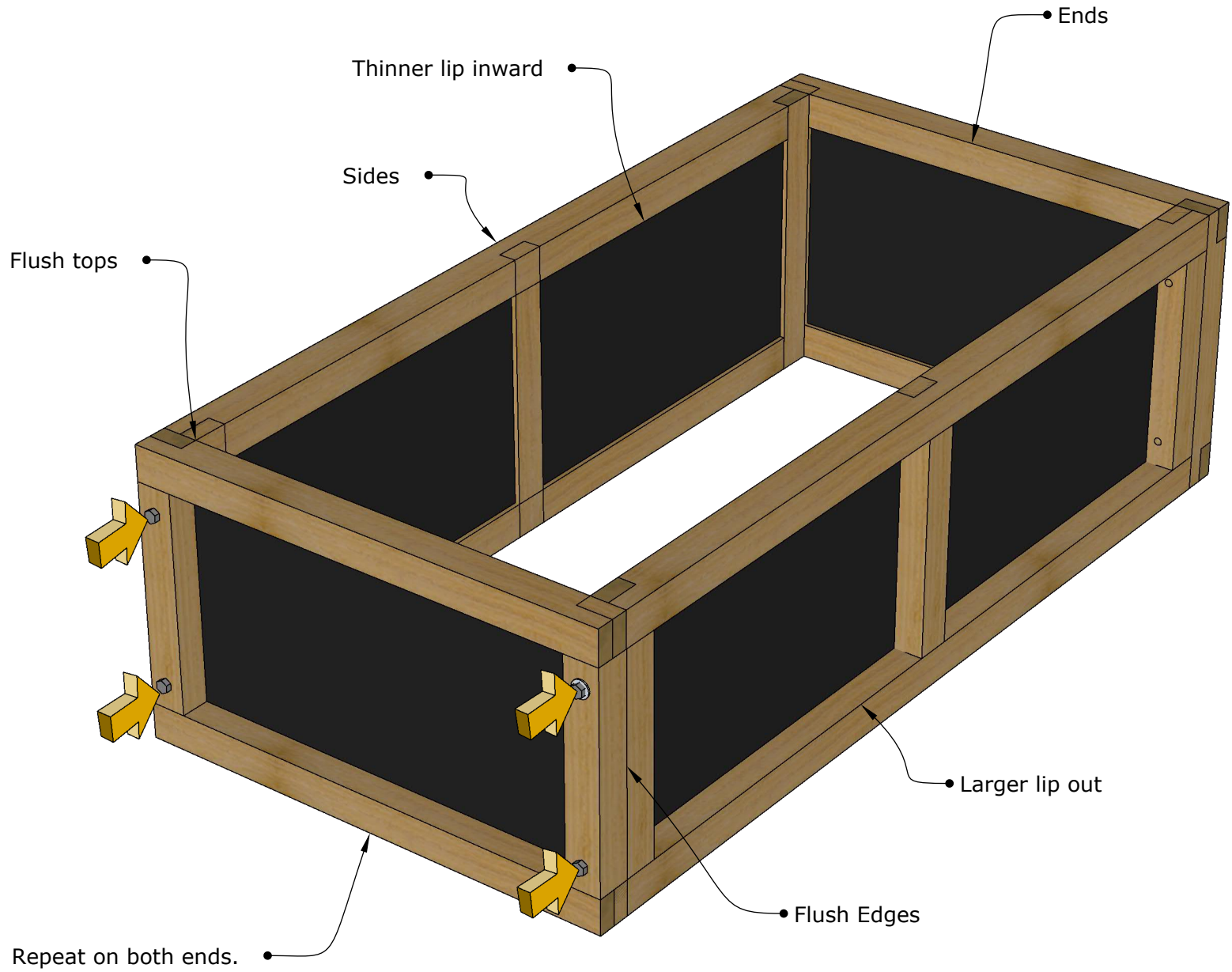


Wide Lip Faces Out



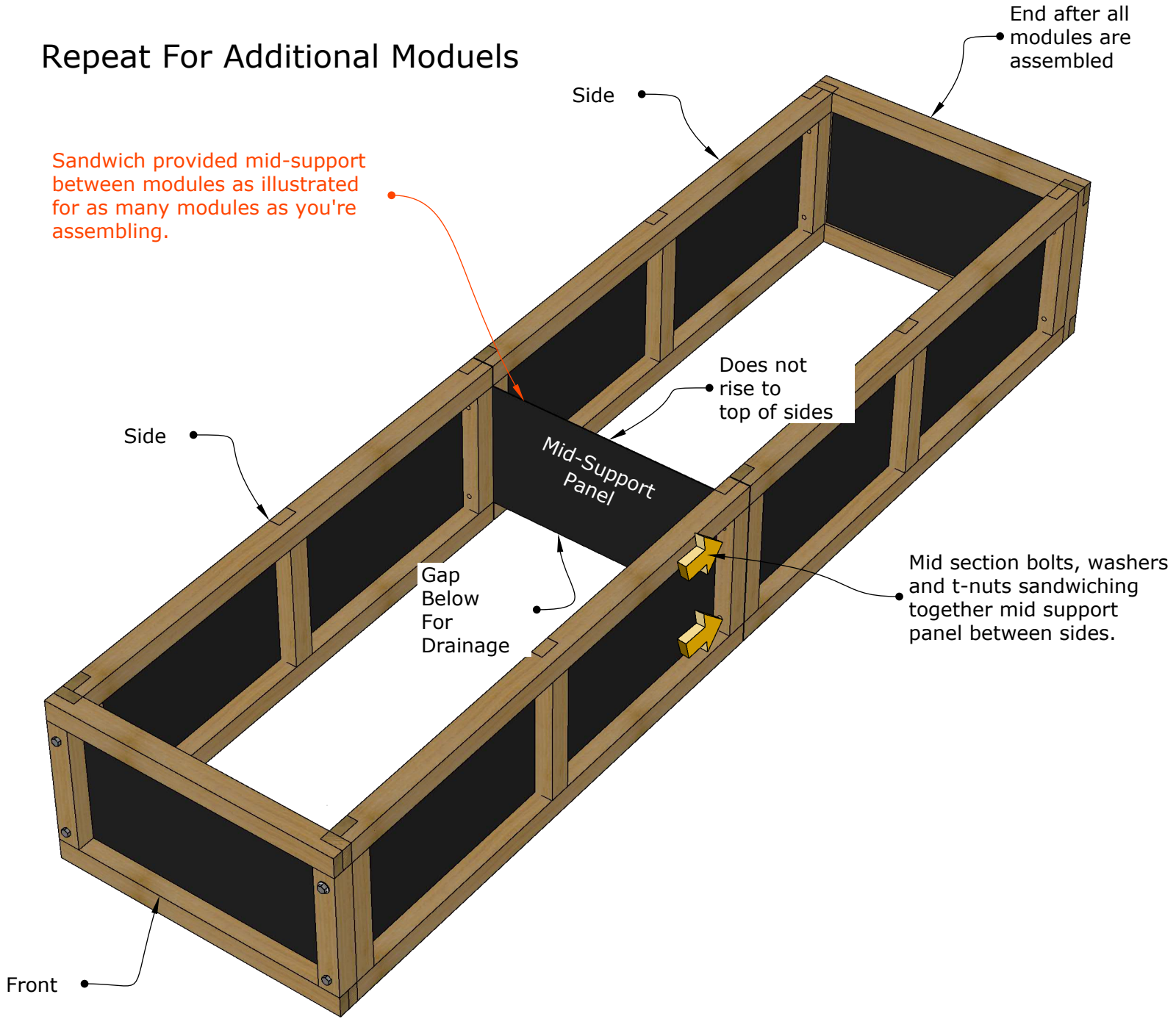
T-Nut Back Side Spikes Towards Wood

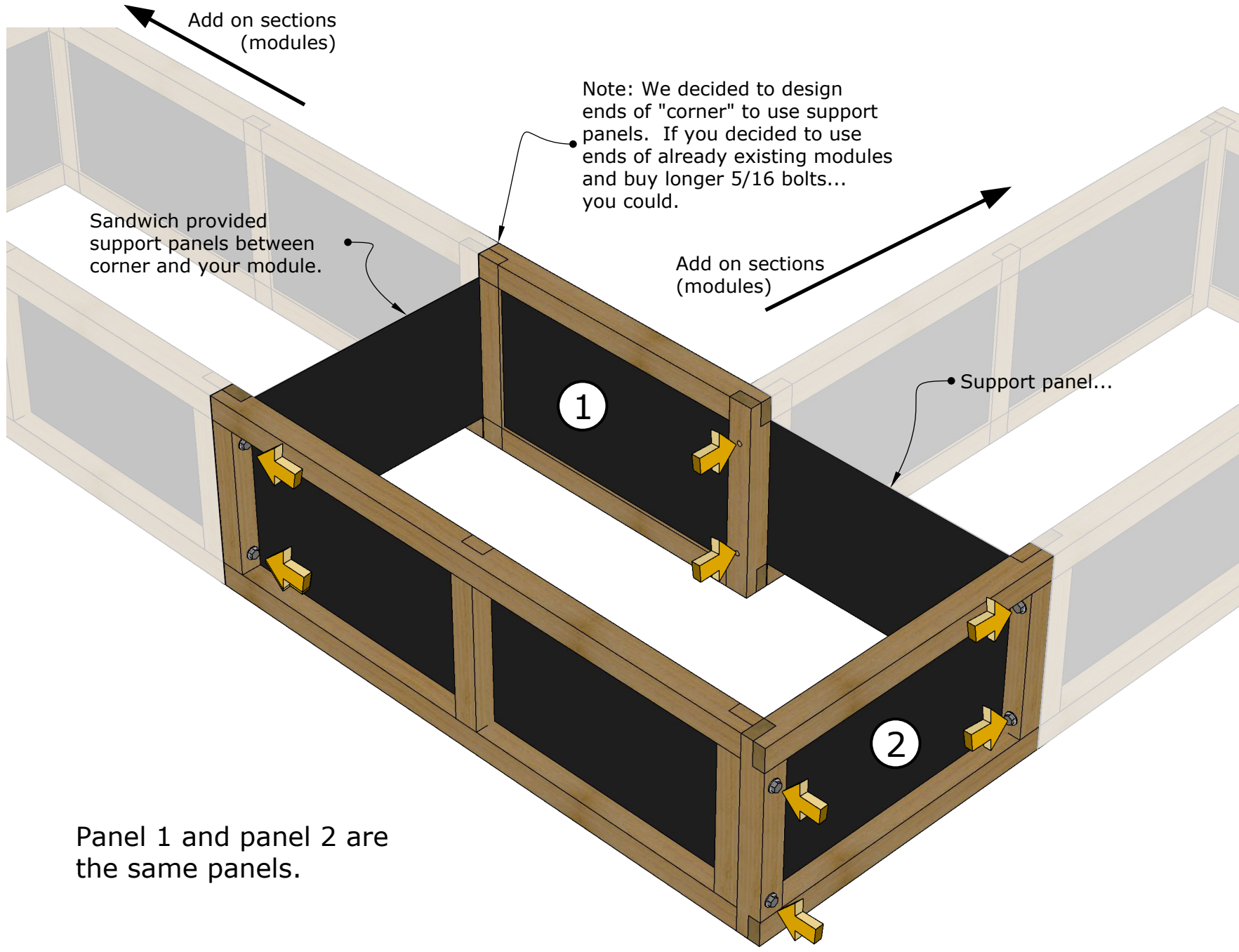




Repeat For Additional Moduels

Sandwich provided mid-support between modules as illustrated for as many modules as you're assembling.





Panel 1 and panel 2 are the same panels.

Parts not "ghosted" are supplied with the corner kit. Add as many sections as you want in either direction of the corner.