



Help Text-line: 512-596-5200

EMAIL: support@urbancoopcompany.com re: Assembly Support

VOICE: 877-741-2667 | Assembly Support ext 3

Assembly Instructions

Round-Top Backyard Coop[™]



These written instructions, as provided with your purchase, will always be the latest iteration of the instructions and match the coop shipped and provide the most complete up-to-date information.

We depend on feedback about our instructions to implement changes to future versions. Please know that we value your input to that ongoing process and endeavor to produce instructions that are as effective as possible for a wide variety of customers.

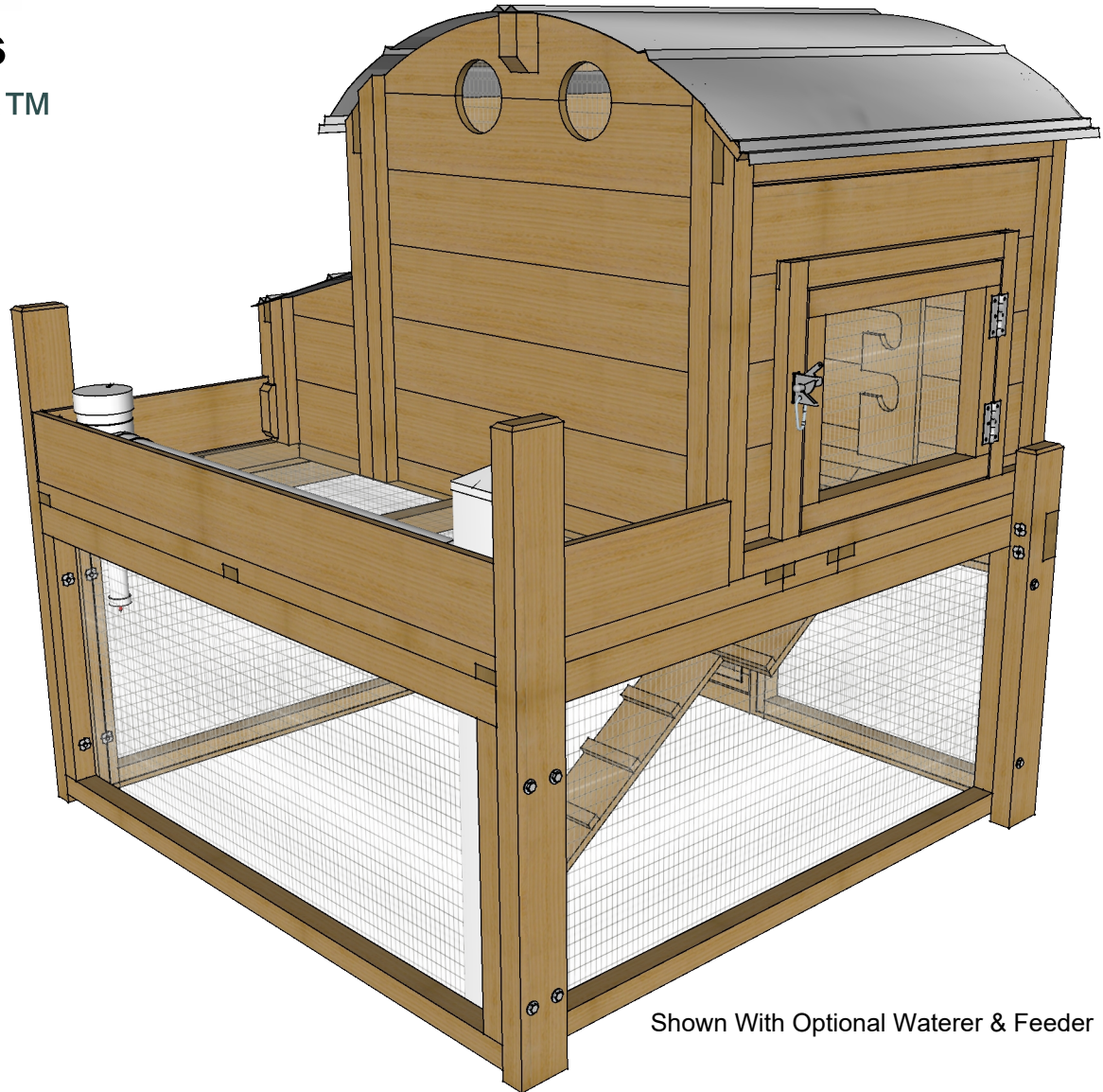


You Tube

Assembly

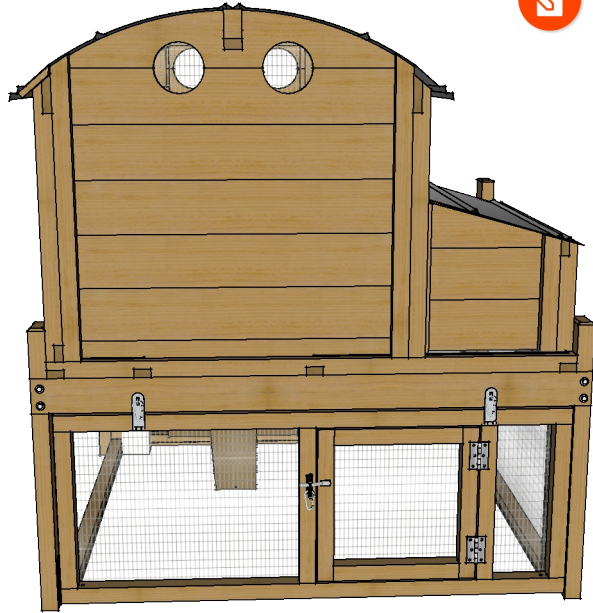
Overview...

Use your phones camera to read QR Code.
Representation of procedure... not instructions.



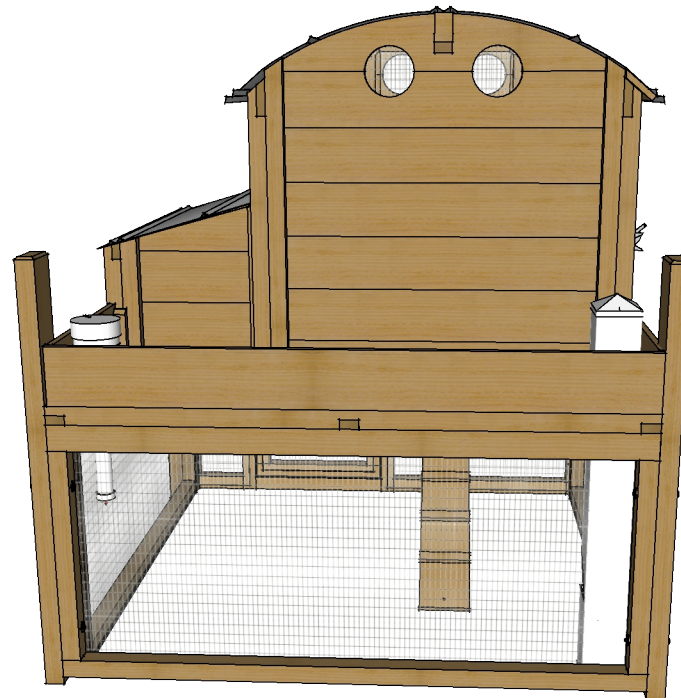
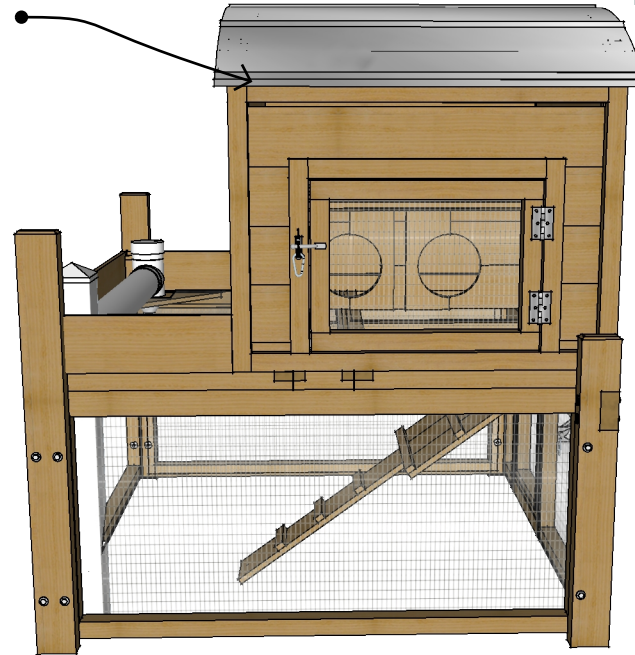
Shown With Optional Waterer & Feeder

Front



Roost House Can Be Reversed

Left

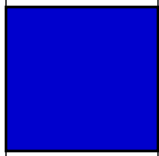


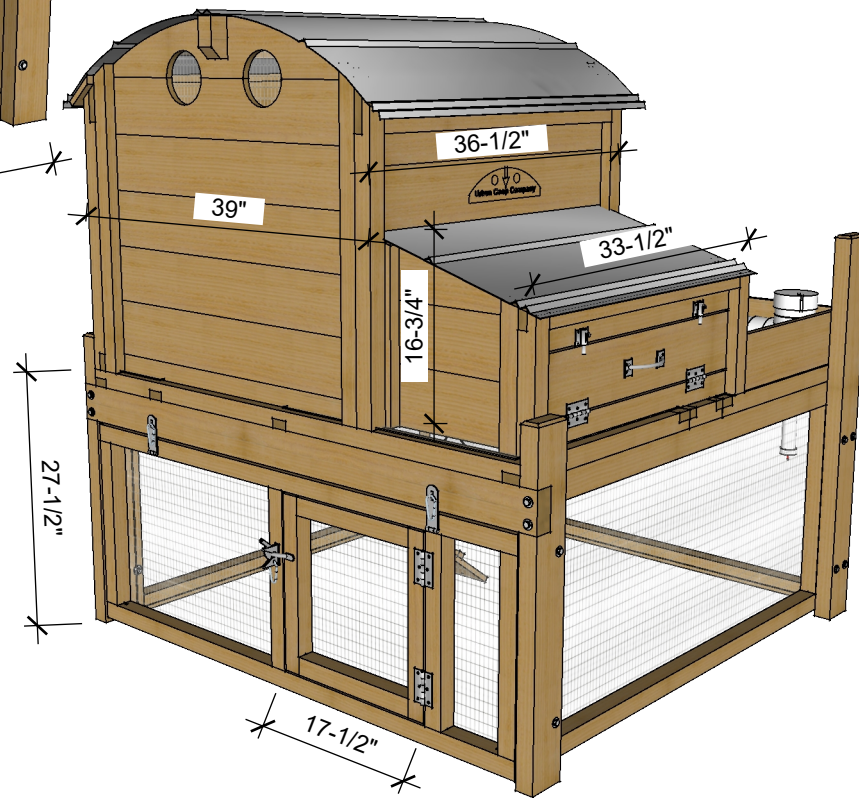
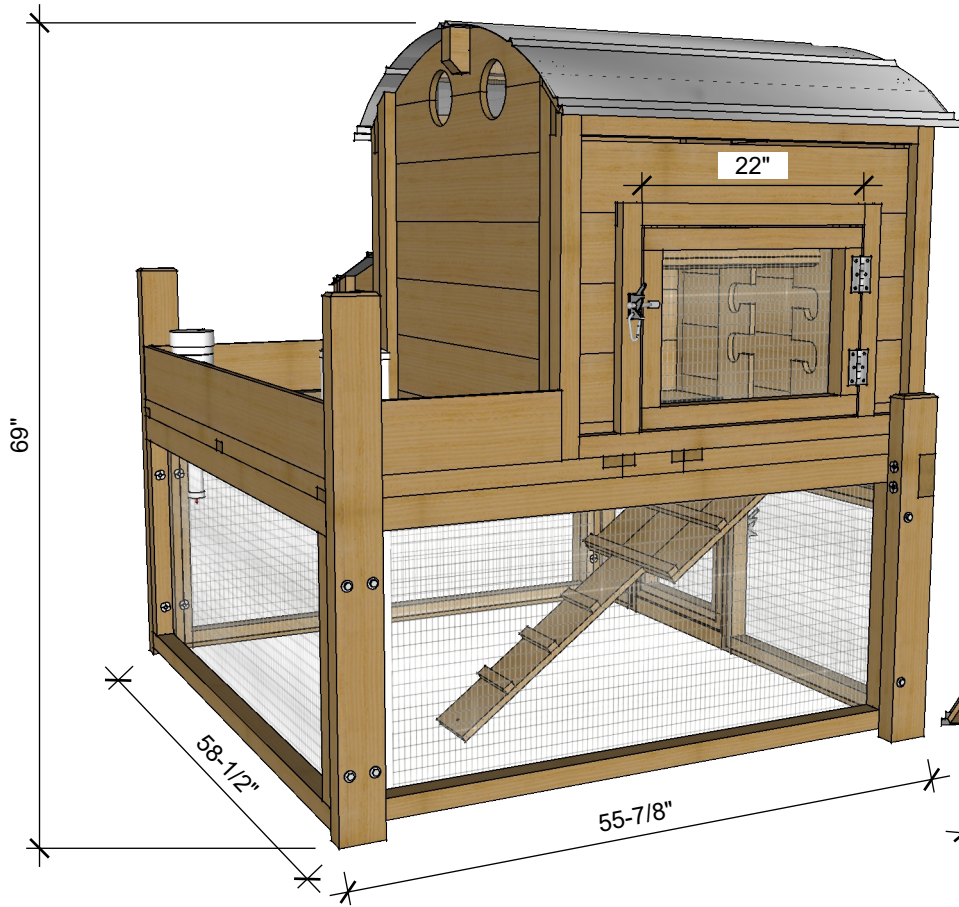
Right

We recommend having the egg box side of your coop facing North in weather intense locations.



Back





Reading this will help you...

Understanding these concepts / conventions will help guide you through the instructions.

- Mating edges of parts to be flush and tight (when called for) will keep measurements in tolerance as the coop grows in size.
- Having a flat area is required for the coop to assemble properly.
- We estimate about 12 man hours (a long day for 2 people) of ordinary skills to assemble. Two people are required for several steps.
- You will need a drill (preferably cordless) a tape measure and a hammer. Everything else is provided.
- Drive screws only deep enough to hold parts tight and not bury the heads too deeply as water will sit in the divots and it may cause softening of the wood and prematurely loosen screws. It will also greatly decrease your ability to easily disassemble a part if needed.
- You may end up directly driving in a screw. The brown and green screws are very aggressive and will drive with no pre-drilled hole. Keep screw entry points in the meat of the wood and not too close to edges. Screws in knots or close to edges should be pre-drilled.
- Rough Cedar may have knots, cracks or frays that are normal. We cull and cut around most imperfections we deem structurally problematic during fabrication. If you get a piece that you feel is not beautiful, please let us know so we can address your concern.
- We hand fabricated your coop with human carpenters. We work really hard to not make mistakes. On the rare occasion that we either misfabricated a part, a part was damaged in shipping, or we forgot to package a needed part, contact us and we will ship out a replacement part for you at no cost.
- We recommend dirt floors in the runs of coops so that chickens can dust bathe and that decomposition of poop can occur utilizing natural microbes in the soil. Part sand part soil is great, and in almost all instances, the native dirt in your area will work great. A trimmed rubber mat can be placed in the bottom of egg boxes and you may wish to put pine shavings or shredded junk mail in them. They are left wire so they can be cleaned in the event of a broken egg.



Even more about your new coop!

Care:

You can seal your coop if you wish. You should use a low VOC water based product. You can have color added to these products too...like painting, but it's a wood stain that lets the wood breathe. We recommend color sealing rather than painting. You paid a premium price for your coop in part to pay for the cedar. It will last outdoors in its natural state for many years, better than almost any other wood. Sealing can keep the wood from going grey. That's the main benefit. Clean wood with mild detergent and water or with a commercially available coop cleaner as needed. Glues used in all joints are completely waterproof and all metal parts are galvanized or have exterior rated coatings.

Placement:

Easy access to water/feed and clear access to doors is needed. Sunlight is not all bad, and the Galvalume roof does a good job at not transferring heat and provides shade. Sunlight does a good job at disinfecting the ground under the coop. Fifty percent (50%) or more of direct sun is preferred. Good air movement around your coop is more important than anything else. **Remember... High ground is dry ground and for coop doors to open easily over time, the coop must be level.**

Digging Predators:

The welded wire and cedar frames are stronger than almost any predator less than a bear :) so diggers are the prime nuisance. By far dogs are the most common digger. Other "wild" animals, while more rare, certainly can dig too. If you're worried about diggers, stack heavy block shaped rocks around perimeter of coop to make getting under more difficult. Better yet, bury them around the perimeter just below grade. You can also attach a strip of wire that extends out from the bottom rails, and bury below the surface of the soil.

Western Red Cedar:

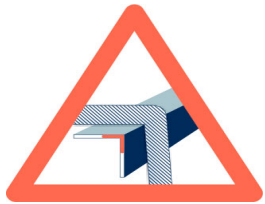
Your coop is built from rough cut Appearance Grade North American Western Red Cedar. Our 2x2's are actually custom milled. Wood deemed defective is culled during milling, cutting and in fabrication... about 5%-10%. Knots, blemishes, fraying, coloring variations, minor surface cracking, slight warping and periodic worm marks are normal parts of rough cedar. We try to make it to where a reversible part always has a "pretty side" and take care to make the "pretty side" show on all parts. If you're unhappy with a piece of wood we fabricated into your coop, send us a picture. We want you to love every piece of your new coop.



Please Be Careful



Coop is designed to be assembled by two people of ordinary skill.



Any roof metal and flashing can have sharp edges. We attempt to knock off sharp corners and edges from roof metal. You must be the final determiner of sharp edges. A standard metal file from your hardware store, or metal snips, can be used to make edges to your standards. You may choose to wear a pair of work gloves while handling roof metal.



Spending the time up front to identify all the parts and lay them all out will pay off in the long run and make assembly go more smoothly. The instructions are intended to be read in page order as, the information builds in that way, then referenced during assembly. Pre-reading the instructions will help immensely.



Be careful not to get caught in coop. Children should not play in coop as the doors are not designed to allow exit from the inside.

Typical Provided Hardware Box

(your box may vary based on any options that you order)



Written Parts List

A. Run Panels

- A1) Sides 2x (top is wider rail)
- A2) Back (top is wider rail)
- A3) Front (has door)
- A4) Top Ramp Side (open middle)
- A5) Top Storage Side
- A6) Top Extender (narrow panel)
- A7) Front Legs 2x (short)
- A8) Rear Legs 2x (tall)
- A9) Header Board (long 2x4)
- A10) Ramp Door

B. Roost

- B1) Front (has door)
- B2) Back (2 big holes)
- B3) Sides 2x (with logo)
- B4) Center Roof Support
- B5) Mid-Roof Supports 2x
- B6) Roost Bars 2x
- B7) Eave Boards 2x
- B8) Galvalume Roof Panels 2x

C. Egg Box

- C1) Left Side
- C2) Right Side
- C3) Door Assembly
- C4) Galvalume Roof Panel

D. Storage Area Fence

- D1) Roost Side (shorter)
- D2) Egg Box Side (longer)
- D3) Back (longest)

E. Fasteners (extras included)

- E1) 3" Brown T25 Screws
- E2) 1 5/8" Green T20 Screws
- E3) Rubber Washer Roof Screws
- E4) 4" Bolts and Washers
- E5) T- Nuts

F. Tools Provided

- F1) 1/2" Box End Wrench
- F2) T25 and T20 Torx Bits
- F3) Phillips Bit
- F4) Magnetic Bit Holder

* Extra screws are included.

G. Hardware

- G1) Spring Clips 4x
- G2) Gate Latches 2x
- G3) Locking Hasps 2x

Required Tools (not provided)

- 1) Cordless Drill
- 2) Claw Hammer

Recommended Tools

- 1) 1/2" Socket & Ratchet
- 2) Measuring Tape
- 3) Level

Options

See addendums at end of instructions

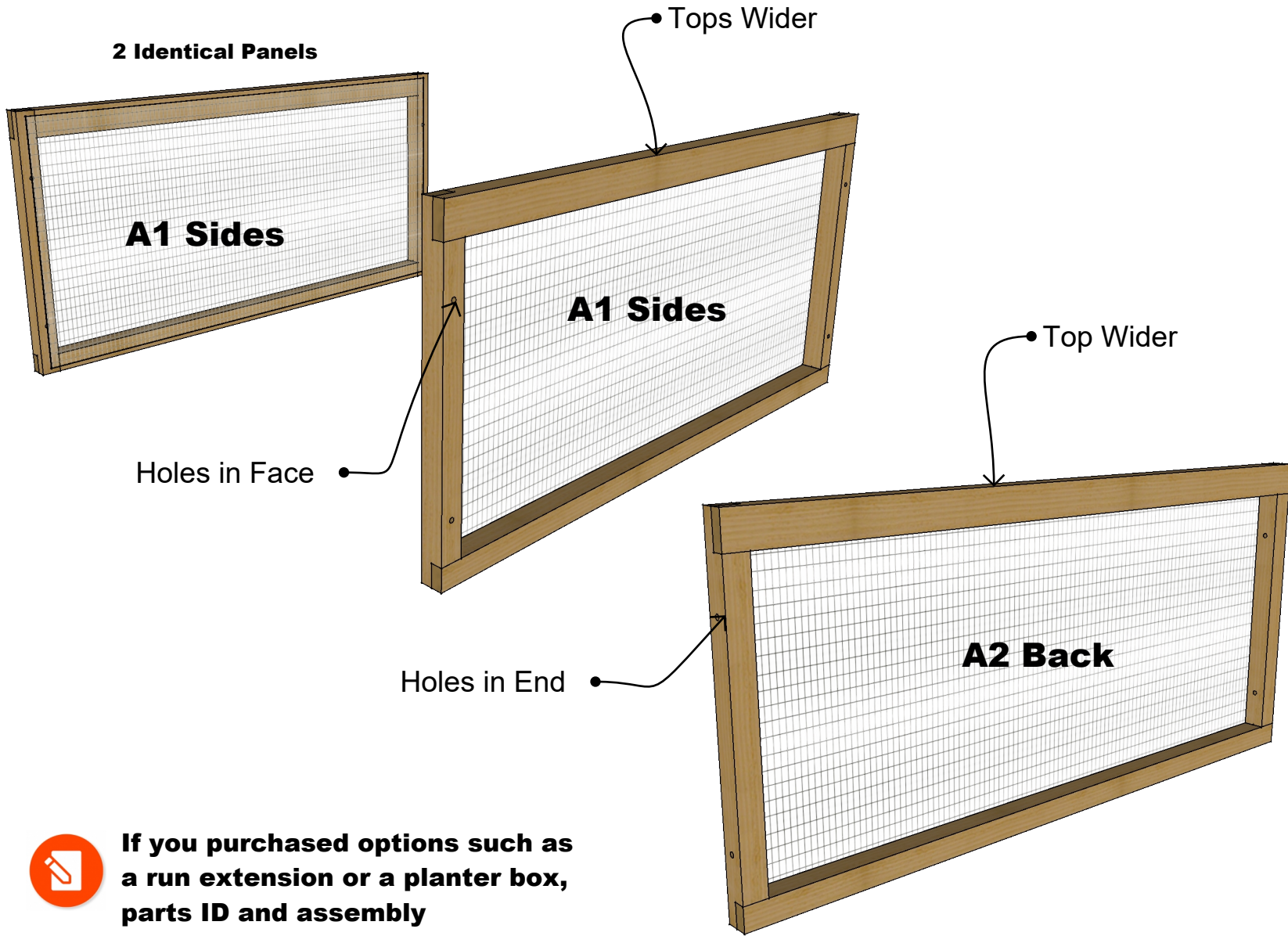
- 1) Water & Feeder (page 30)
- 2) Run Extensions (page 31)
- 3) Planter Box (page 36)



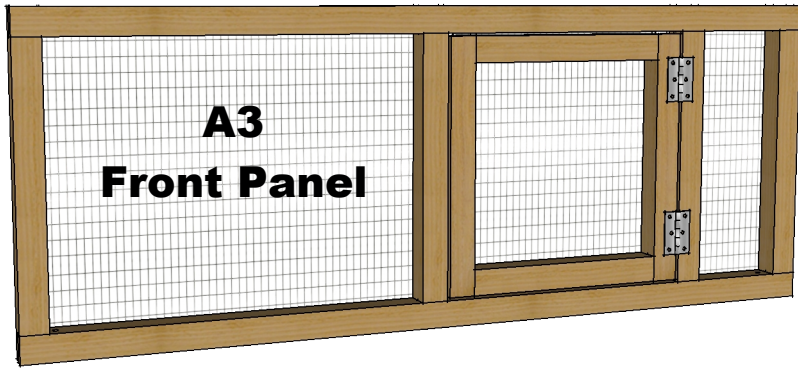
Addendums to build the planter box and run extension options build on concepts in the main coop instructions and assume that you built the main coop. If you are building the extension or planter box and you did not build the main coop you might need to reference pages in the main coop instructions to better understand the addendums.



Parts ID: 15-20 Minutes of Well Spent Time

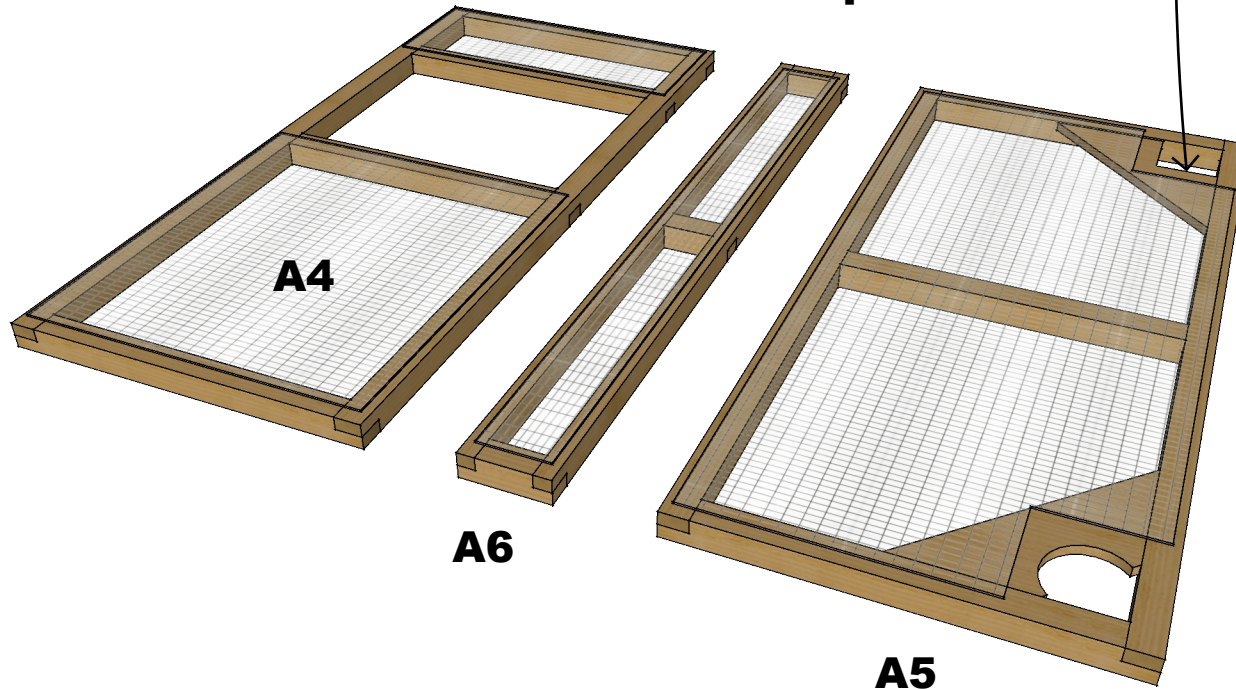


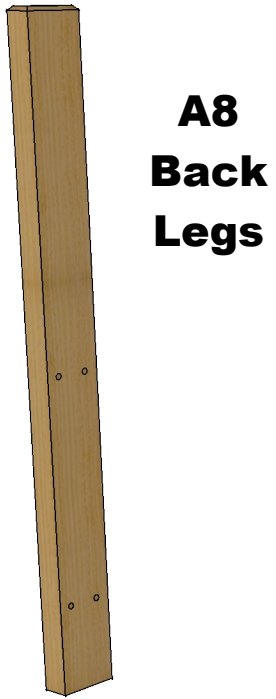
If you purchased options such as a run extension or a planter box, parts ID and assembly instructions are contained in addendums at the end of these instructions.



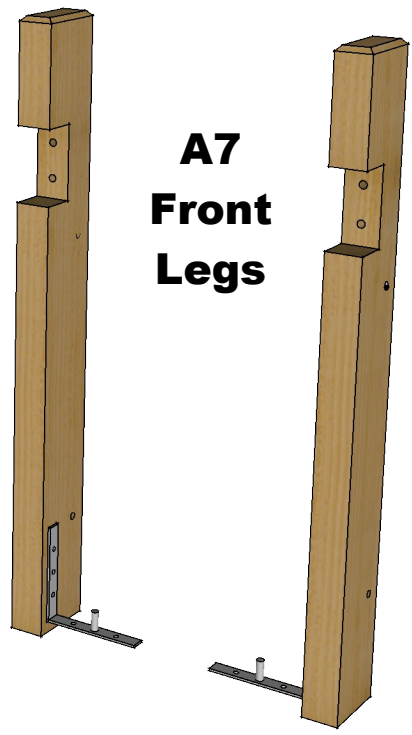
Wire will be cut out if you ordered optional Waterer or Feeder.

Run Top Panels

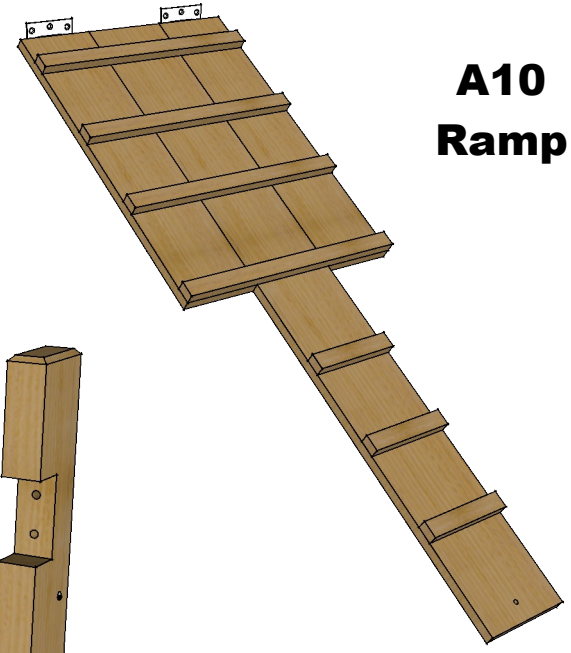




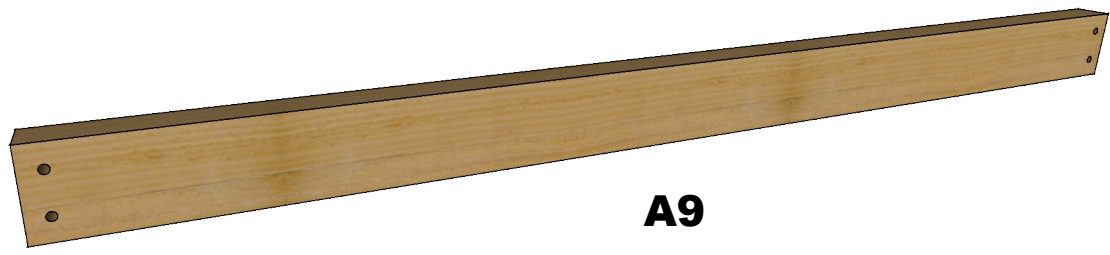
**A8
Back
Legs**



**A7
Front
Legs**



**A10
Ramp**



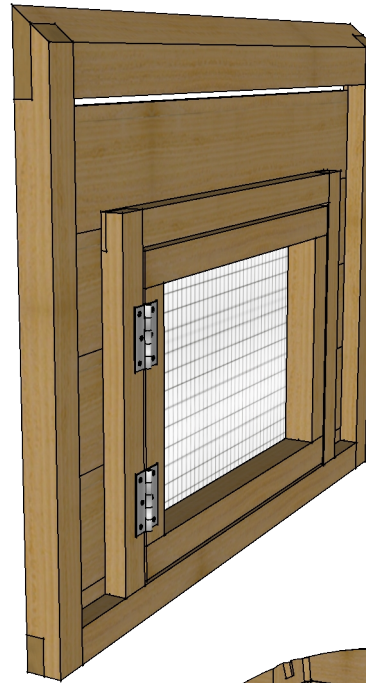
**A9
Header**

| |
|--|
|  <p>MADE IN  roost&root[®] Find your inner farmer.[™]</p> |
| <p>Assembly Instructions Round-Top Backyard Coop V-H Fall 2022</p> <p><small>Copyright © Roost & Root all rights reserved.</small></p> |
| <p>Parts ID - A7 A8 Legs A9 Header A10 Ramp</p> |
| <p>Page 08</p> |

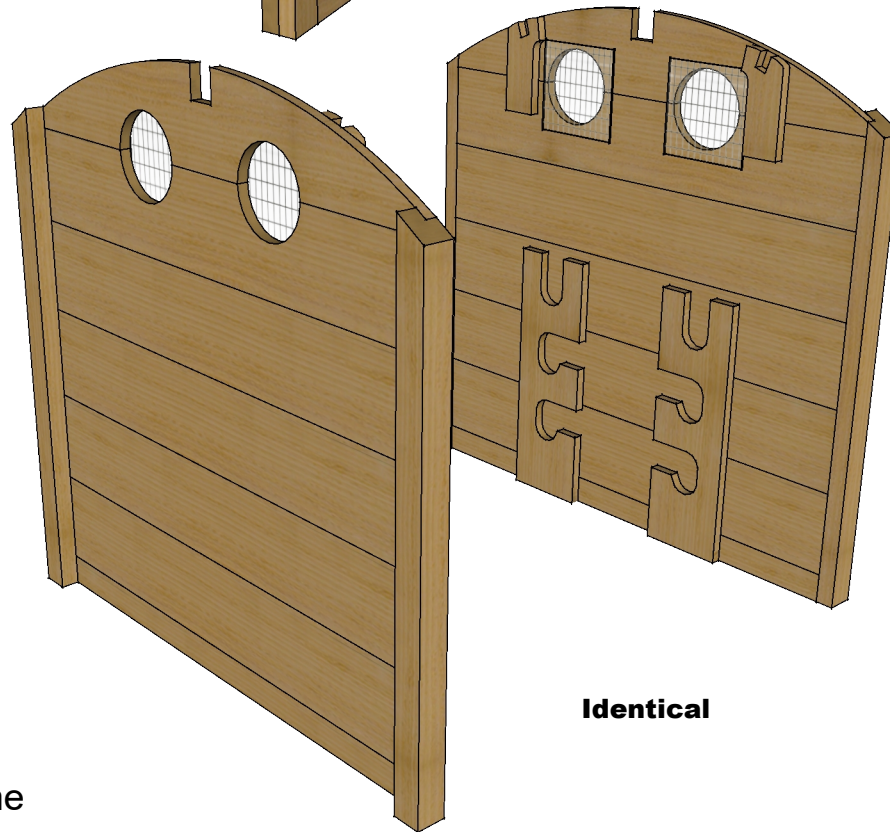
**B2 Roost
Back**



**B1 Roost
Front**

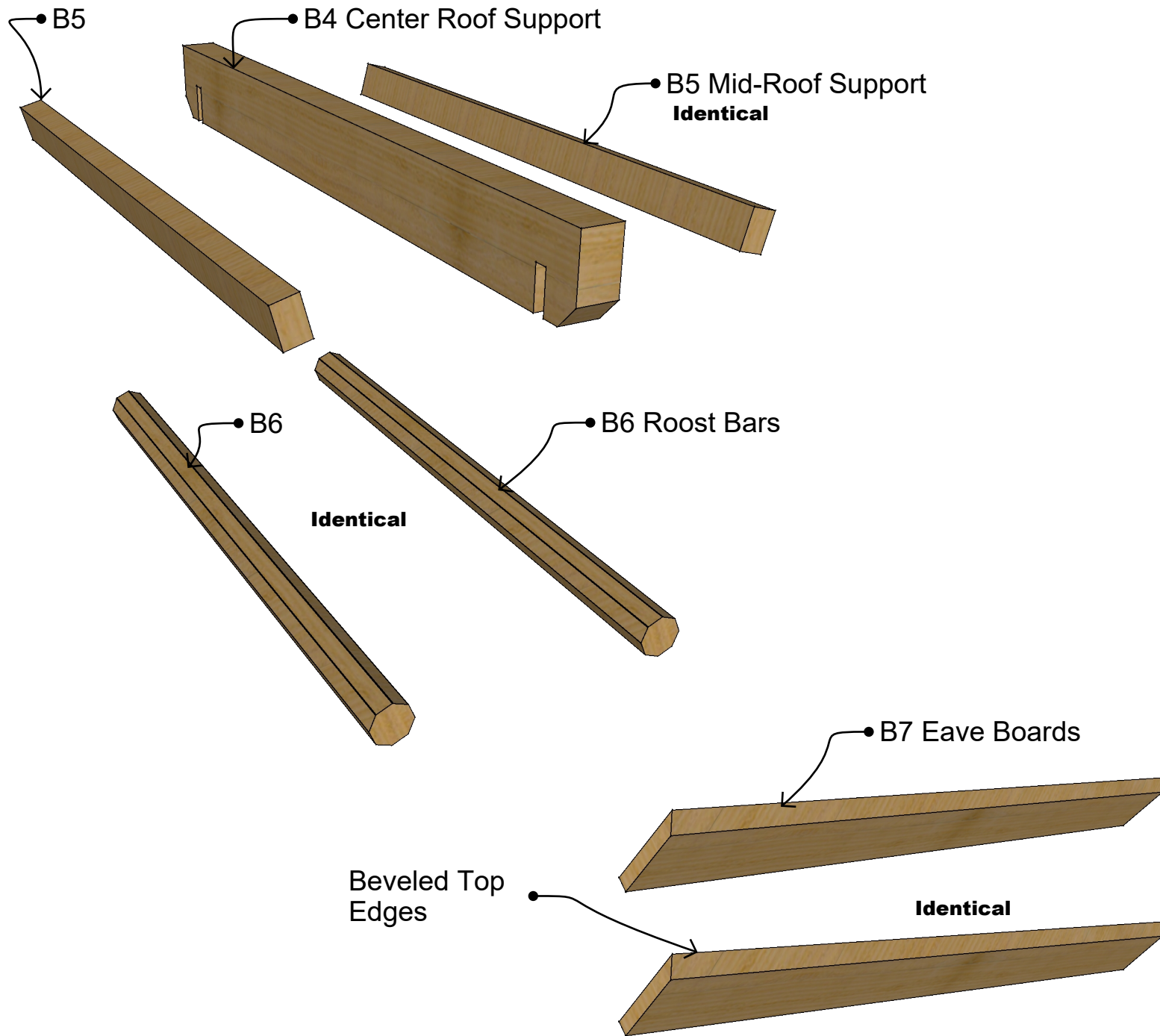


**B3 Roost
Sides**



Identical



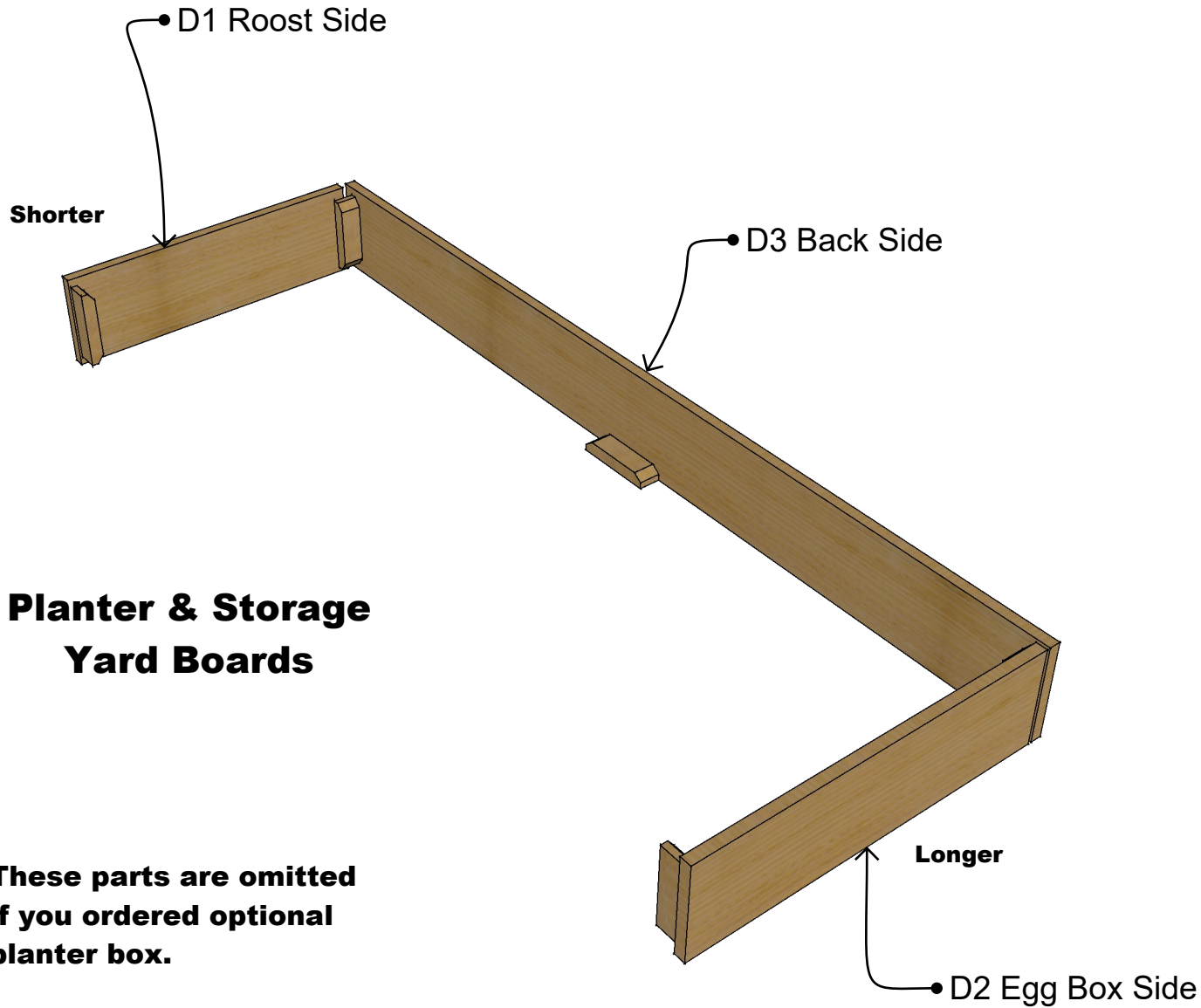




**Egg Box Sides
(mirrored)**

C3 Egg Box Door Assembly

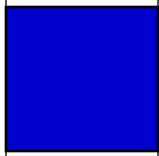


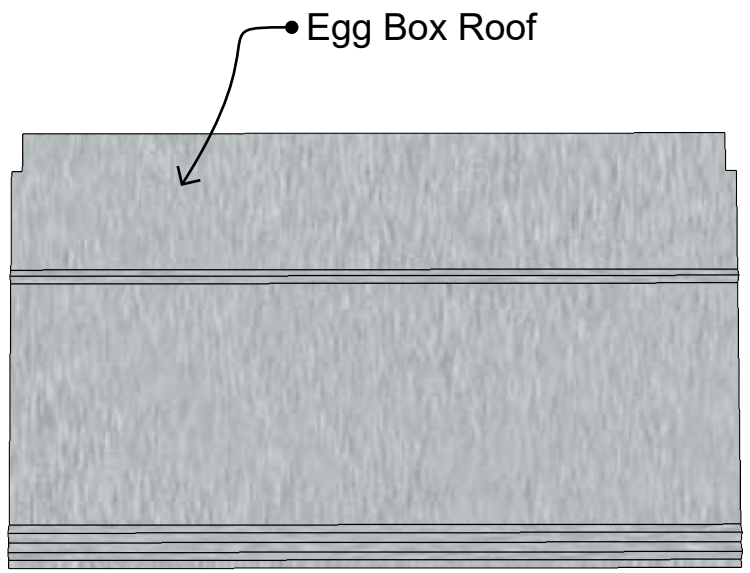


Planter & Storage Yard Boards

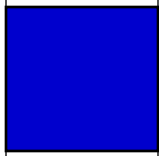
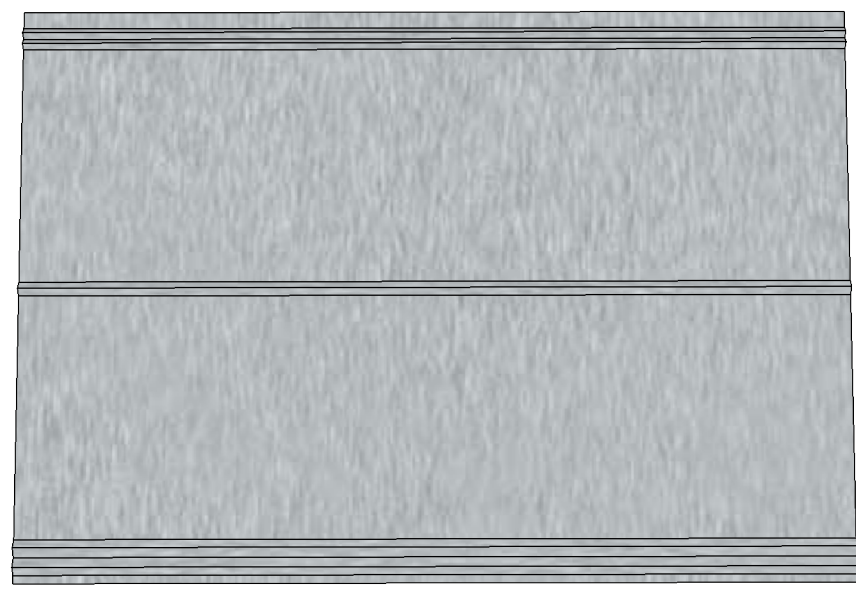
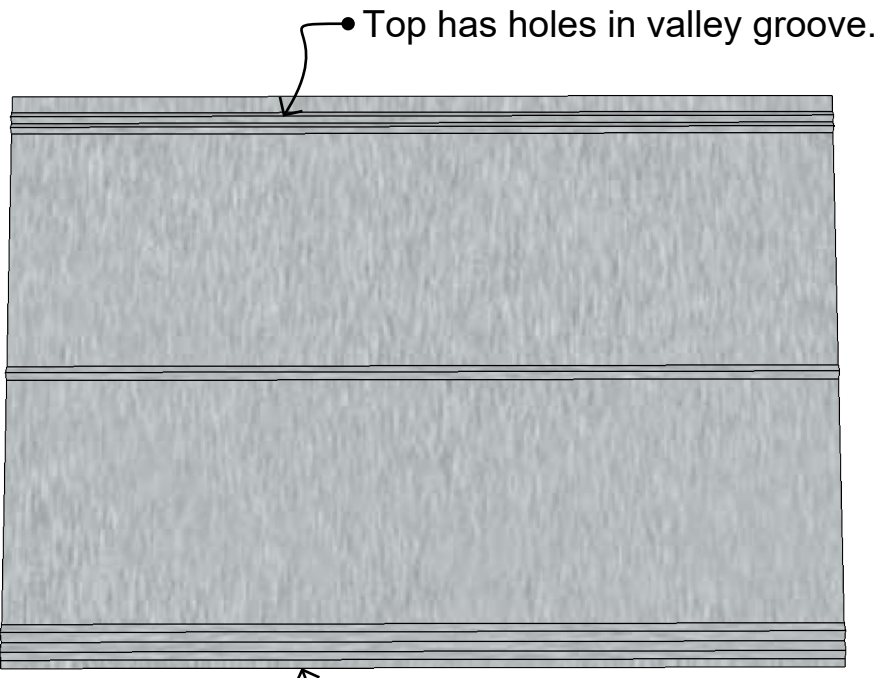


These parts are omitted if you ordered optional planter box.





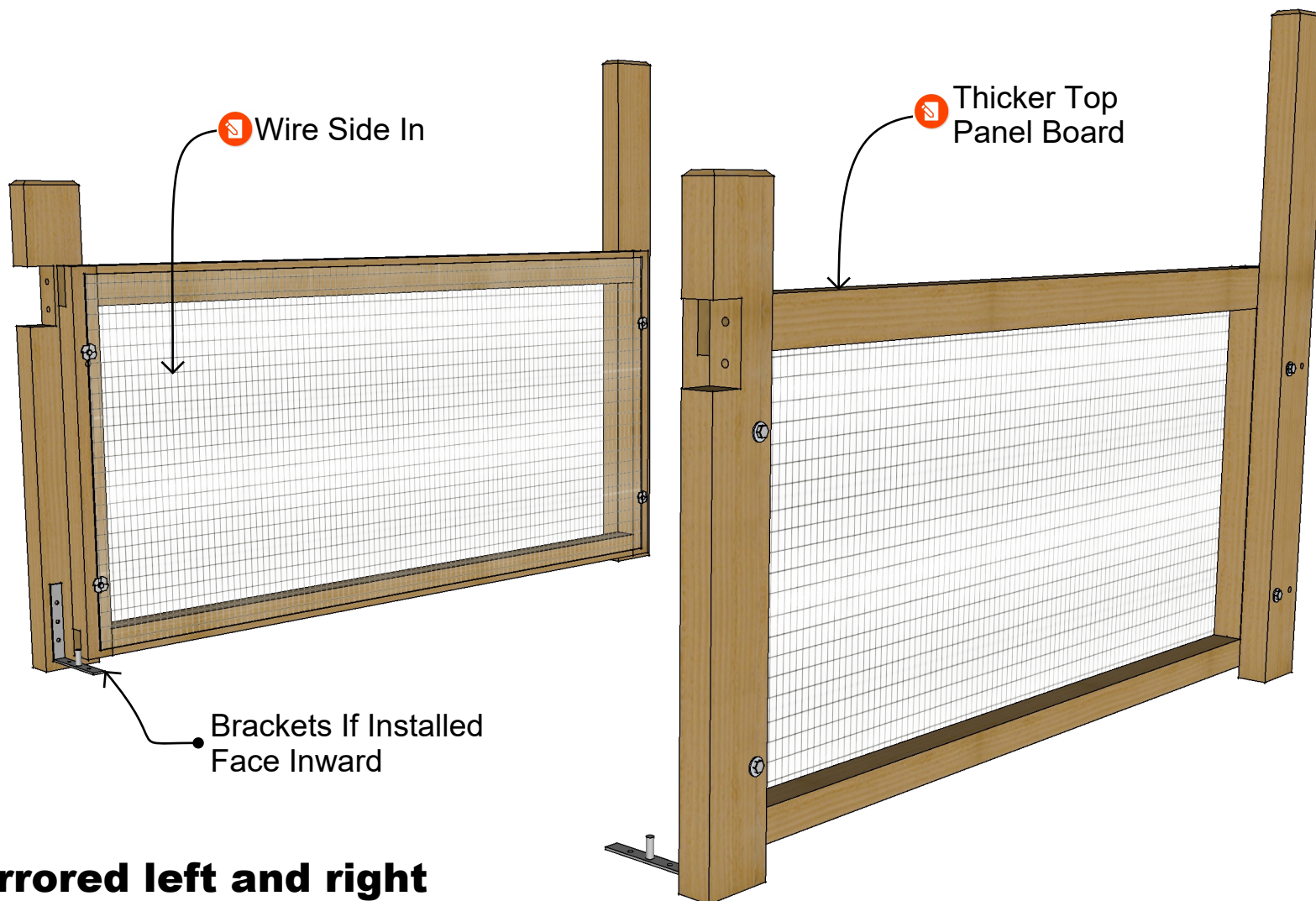
Handle Carefully



Here's the first thing to do. See the next page for how to do it.

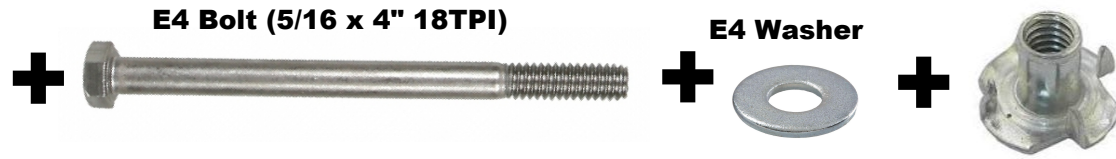


Special Notice



Mirrored left and right run sides with legs attached.

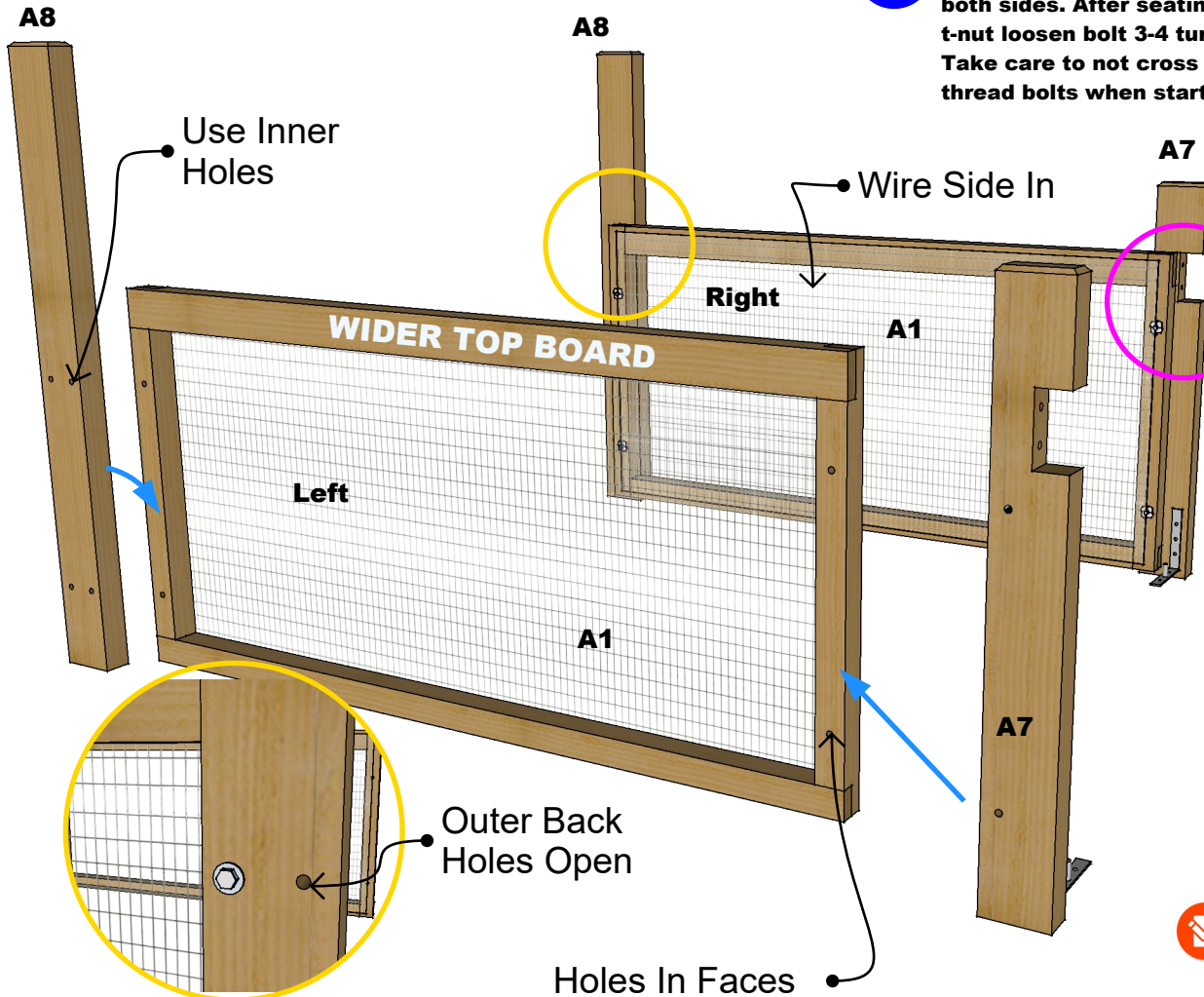
**Provided 1/2" wrench
or better yet, your
1/2" socket & ratchet.**



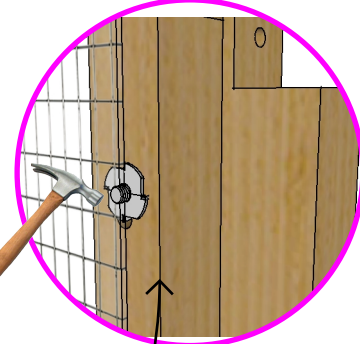
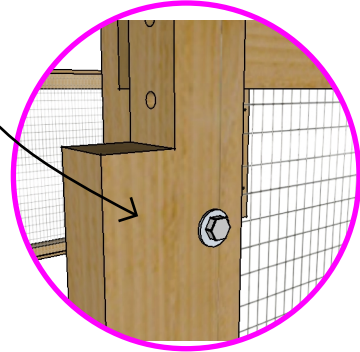
= order of assembly

Flush Tops

Make 2 Mirrored Side Panel Assemblies



2 Bolt & Washer
Repeat for all 8 bolts both sides. After seating t-nut loosen bolt 3-4 turns. Take care to not cross thread bolts when starting.

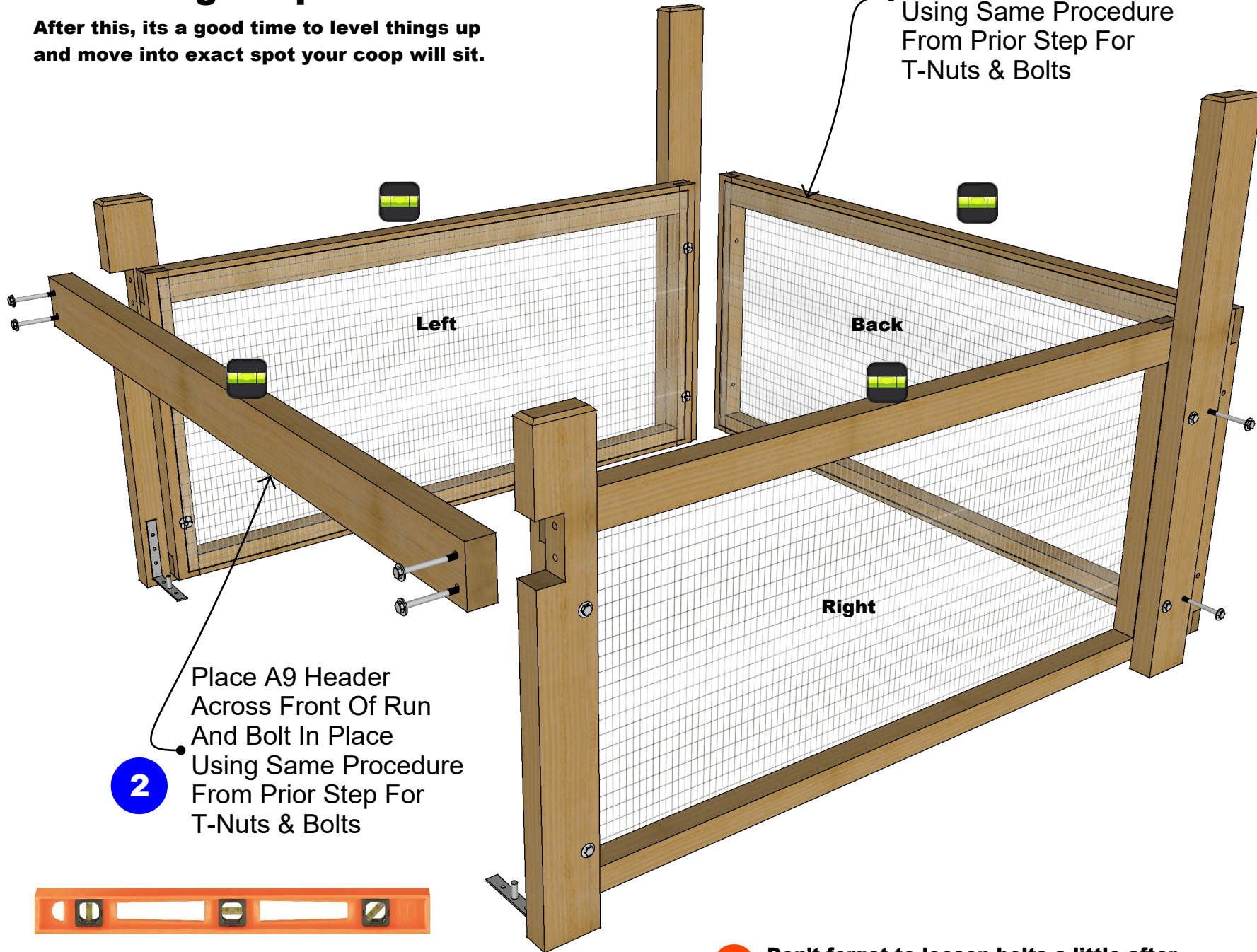


1 T-Nut on back side. Tighten bolt to seat. Tap T-Nut into hole first with hammer if needed.

If wire is in the way of hole just bend out of path of bolt by inserting a tool in hole and bending out of way.

It's taking shape now!

After this, its a good time to level things up and move into exact spot your coop will sit.



1

Place A2 Back Panel Between Back Legs And Bolt Into Place Using Same Procedure From Prior Step For T-Nuts & Bolts

2

Place A9 Header Across Front Of Run And Bolt In Place Using Same Procedure From Prior Step For T-Nuts & Bolts

3

Use a level or your phone and make all sides level. Also make sure coop is sitting flat and does not rock.

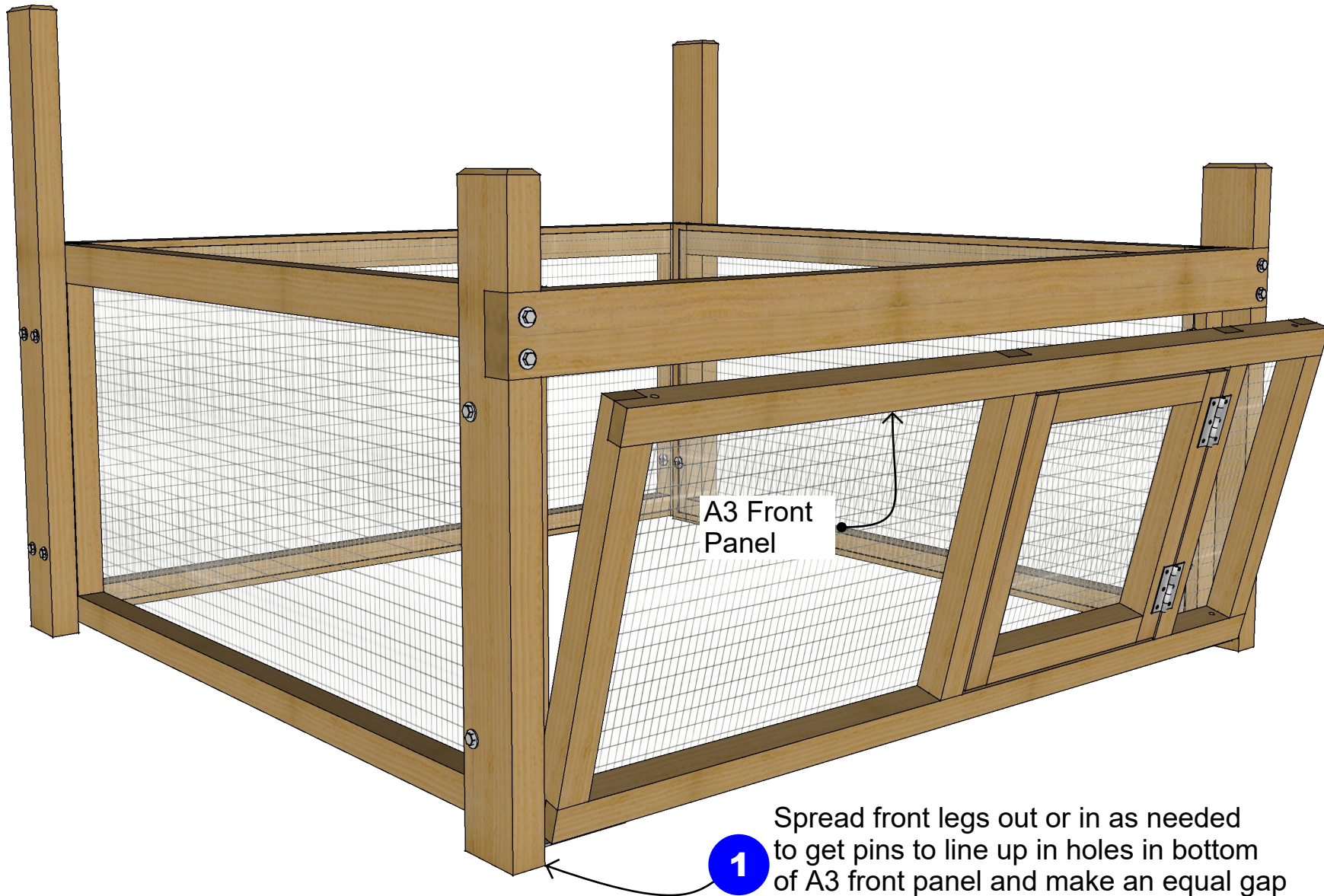


Don't forget to loosen bolts a little after you seat the t-nuts. Things need to move a little for the next step or two.

Fit front panel into place.



Skip this step if you purchased the optional run extension. That will come later.



1

Spread front legs out or in as needed to get pins to line up in holes in bottom of A3 front panel and make an equal gap on both sides.

Your Drill



+



Bit Holder

Included

+



Phillips Bit

Included



Ignore this step if you purchased the optional run extension. That will come later.



Your hardware may vary from what is shown based on availability and vendor.

Flat Head



1

A9

G3 Hasp

A3

1

2

Install G2 latch as illustrated using pre-drilled holes on door of A3 panel. Remove shipping screw in door frame and install G1 spring clips in all 3 positions as shown.

2

Remove Screw In Door Frame After Installing Latch



T25 Bit

Attach bottom side of G3 hasp in predrilled holes in A3 panel. Flip up hasp and install receiver piece of G3 hasp on A9 Header and line up as required. Repeat for other side.

1

Round Head



2

G3 Latch

A3

Door Side

Repeat for this side

A9

A3

~~Green arrows indicate a Brown T25 Screw and its direction.~~

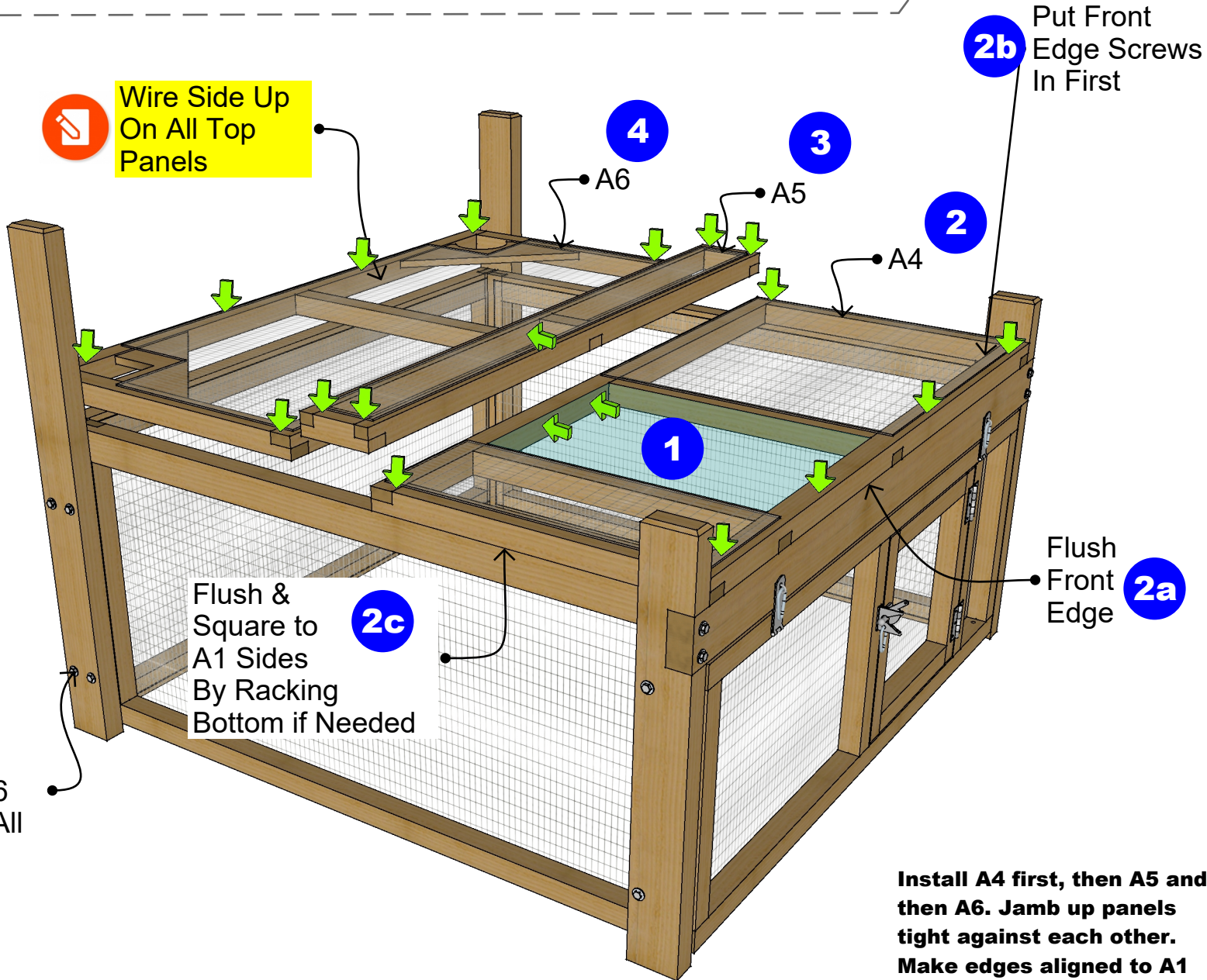
Bit Holder

T25 Bit

T25 Brown Screw



Wire Side Up On All Top Panels



2b

Put Front Edge Screws In First

2

Flush Front Edge 2a

2c

Flush & Square to A1 Sides By Racking Bottom if Needed

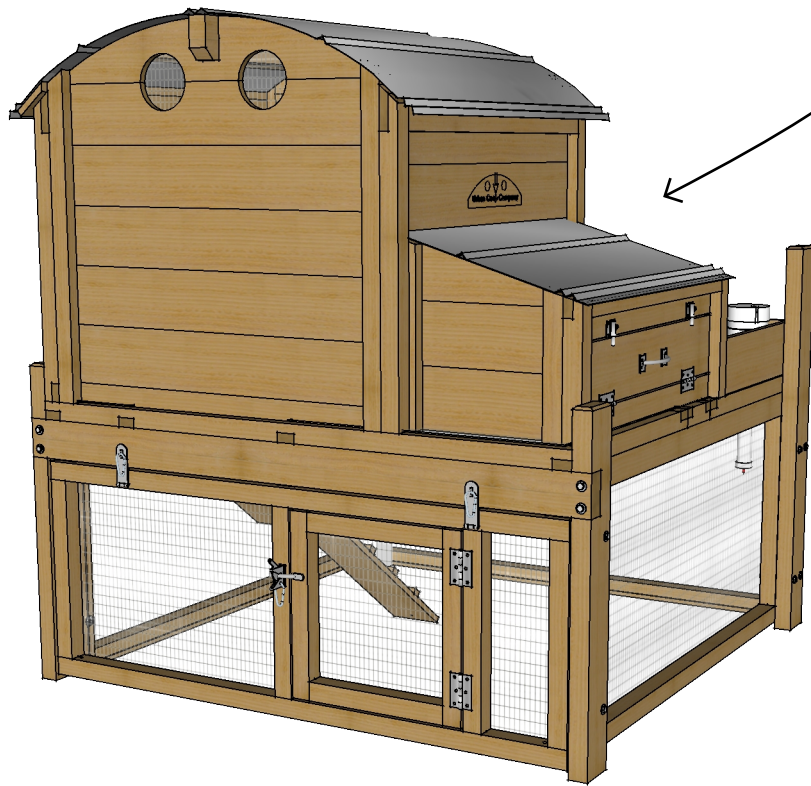
5

After Install Of A4,5,6 Tighten All Bolts

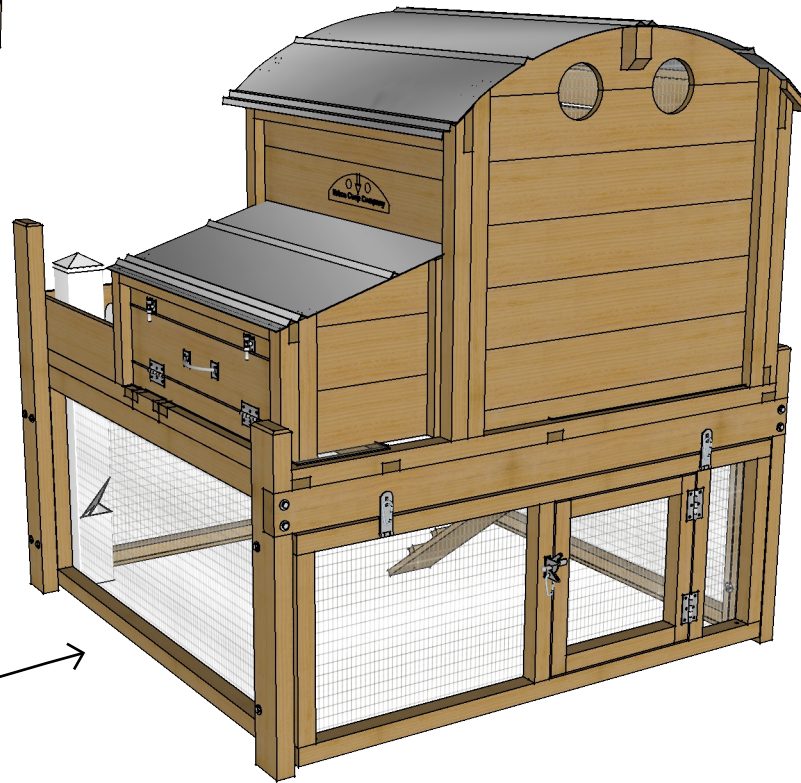
1

If the A4 panel is installed as indicated, the egg box will be on the right side of coop. If you want eggbox on left side of coop, rotate this panel 180°. See next page for illustration.

Install A4 first, then A5 and then A6. Jamb up panels tight against each other. Make edges aligned to A1 side panels.



As illustrated in these instructions, egg box is on the right side of coop.



If you flip the A4 panel in the previous step as indicated, you'll be building out the coop with the egg box on the left side of coop.



T25 Brown Screw

T-20 Green Screw

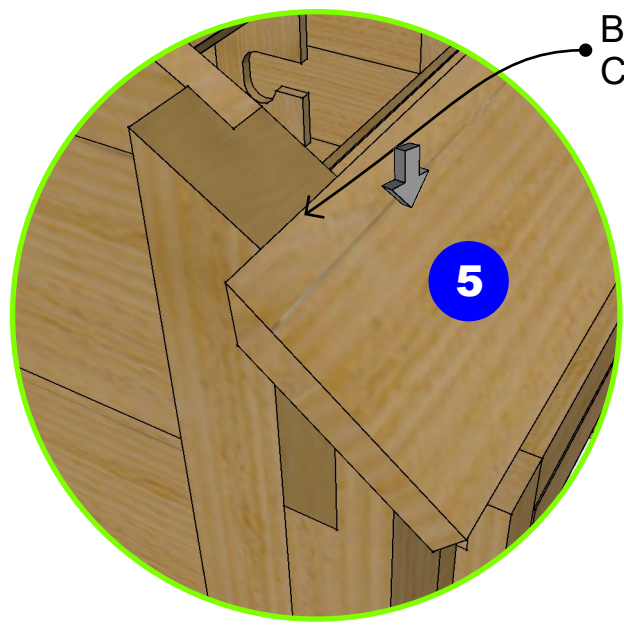
MADE IN USA
roost&root
Find your inner farmer.™

Assembly Instructions
Round-Top Backyard Coop
V-H Fall 2022

Copyright © Roost & Root all rights reserved.

Step 6 - Roost Assembly

Page 21



Beveled Edge to Top And Centered Left to Right

5

4

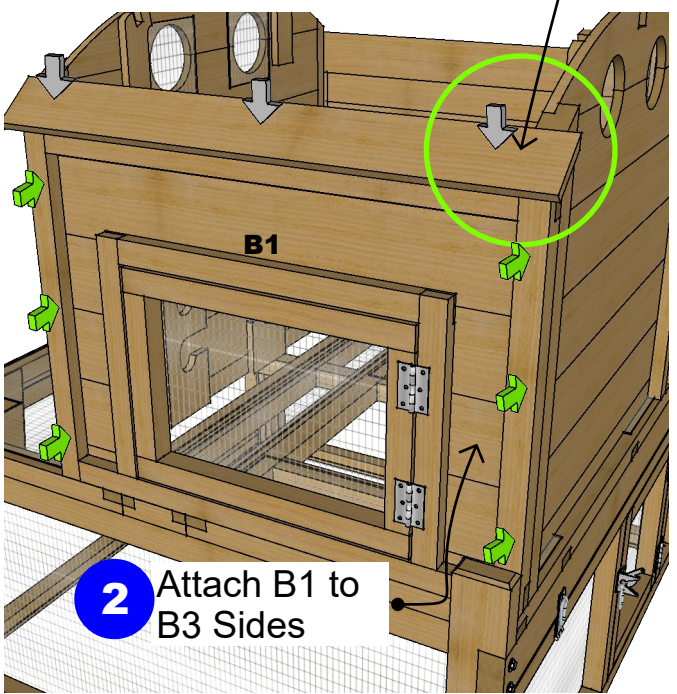
Gently Tap Roof Supports Down Into Brackets

1

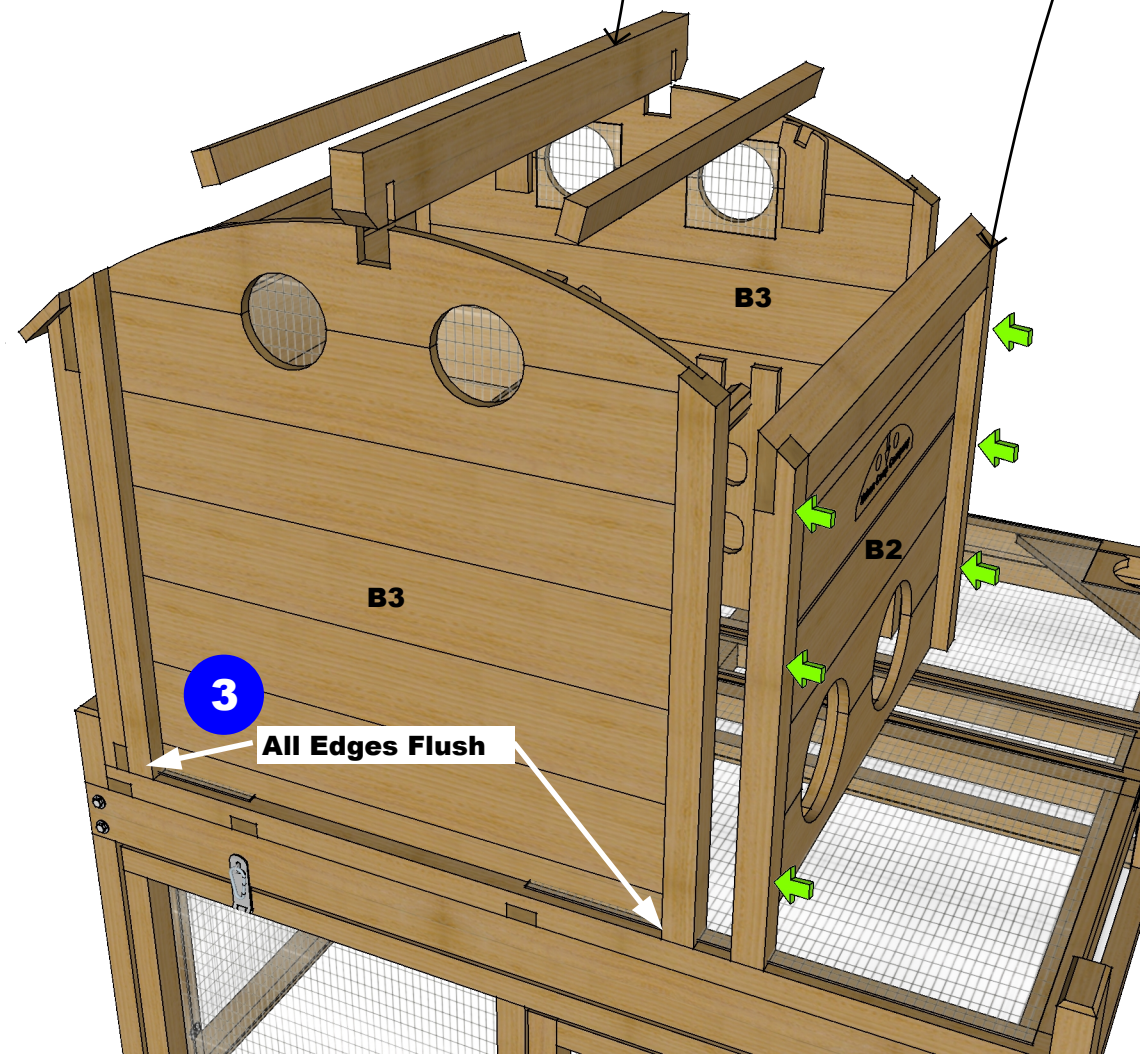
B2 Back Panel Screws Into B3's Using Brown Screws

5

Attach B7 Eave Boards Both Sides Using Green Screws



2 Attach B1 to B3 Sides



3

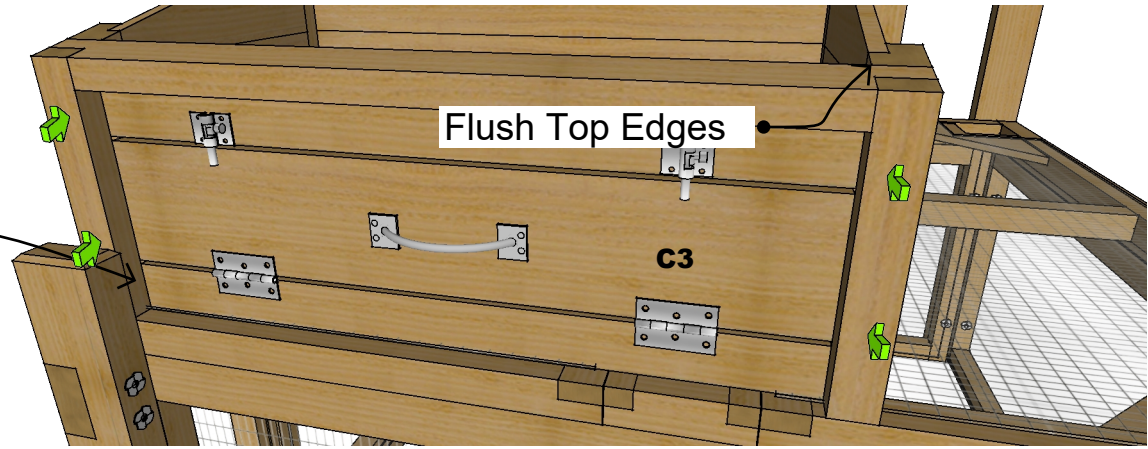
All Edges Flush

B3


B2

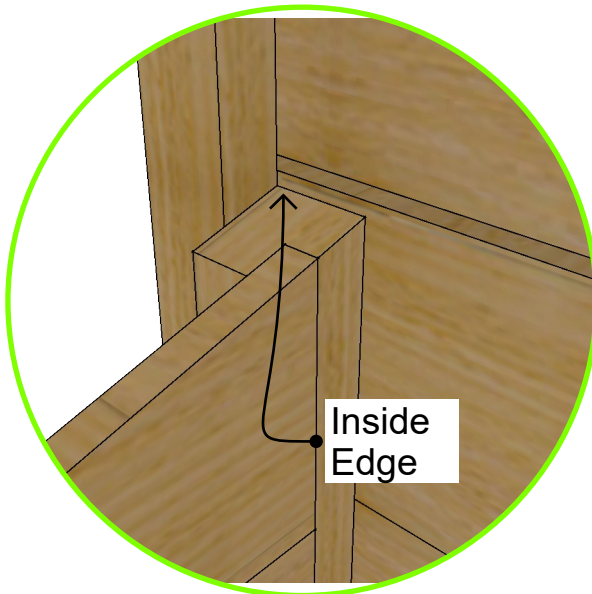
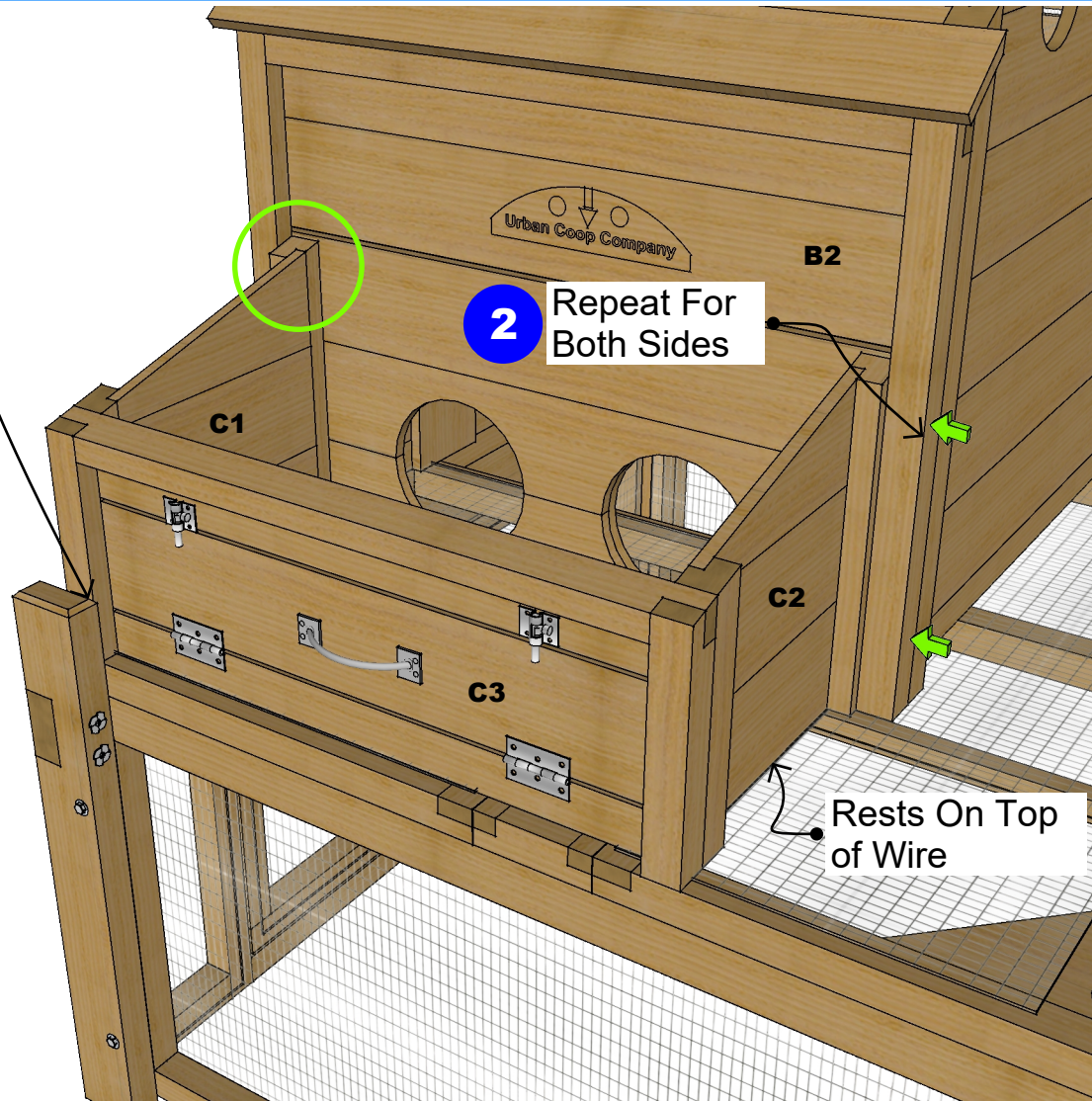


1 Slide To Side To Access Screw Holes If Needed



Egg Box Assembly

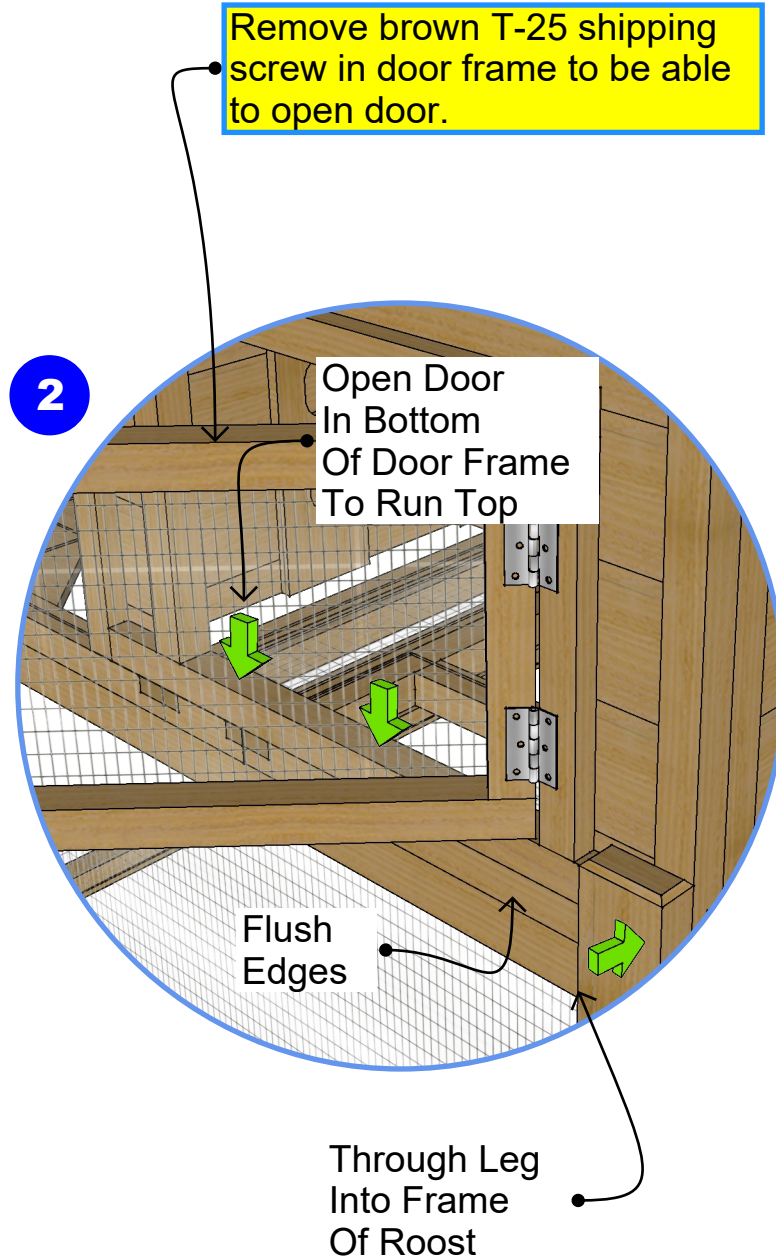
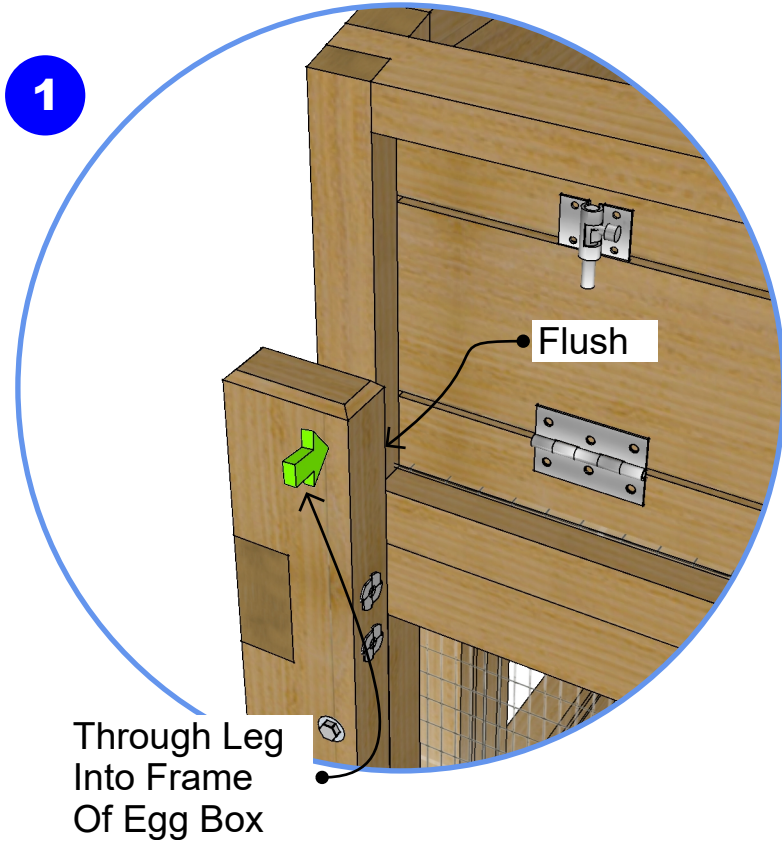
 Loosen Leg & Header Bolts If Need To Fit Between Legs





T25 Brown Screw

Attach Roost to Run Top



If you wanted to move your coop at some point taking out these screws lets roost section to be moved as a unit.

Bit Holder



Use Bit Holder No Bit



Roof Screw



Tighten just enough to compress rubber washer.

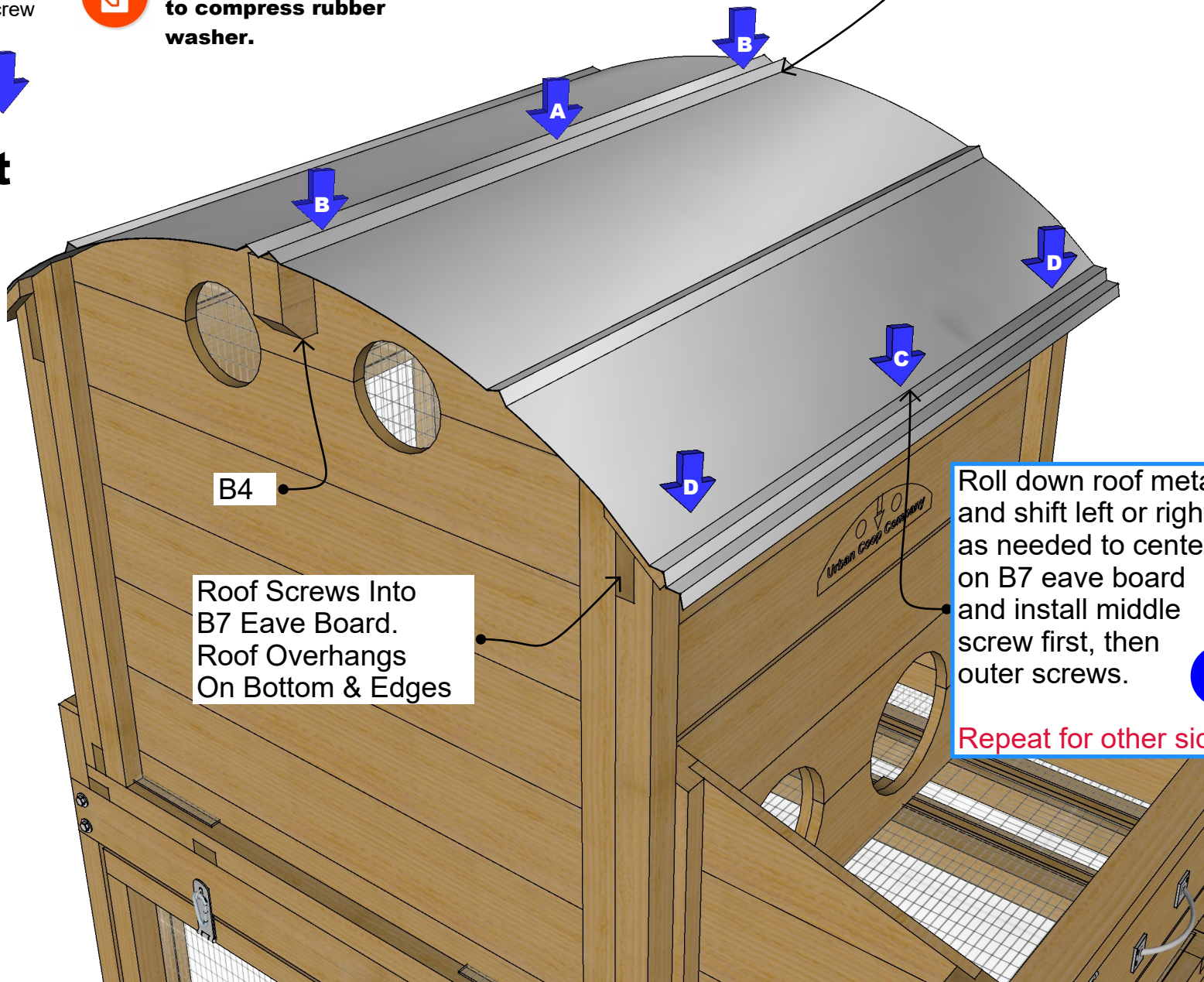
1

Overlap middle edges of roof metal center left to right and center over top of B4 roof support then affix middle of roof screwing through both sheets into B4. Outer screws first then middle one.



Ridges In Roof Metal Point Up

Roost Roof



B4

Roof Screws Into B7 Eave Board. Roof Overhangs On Bottom & Edges

Roll down roof metal and shift left or right as needed to center on B7 eave board and install middle screw first, then outer screws.

2

Repeat for other side.

MADE IN USA
roost&root
Find your inner farmer.™

Assembly Instructions
Round-Top Backyard Coop
V-H Fall 2022

Copyright © Roost & Root all rights reserved.

Step 8 - Roost Roof

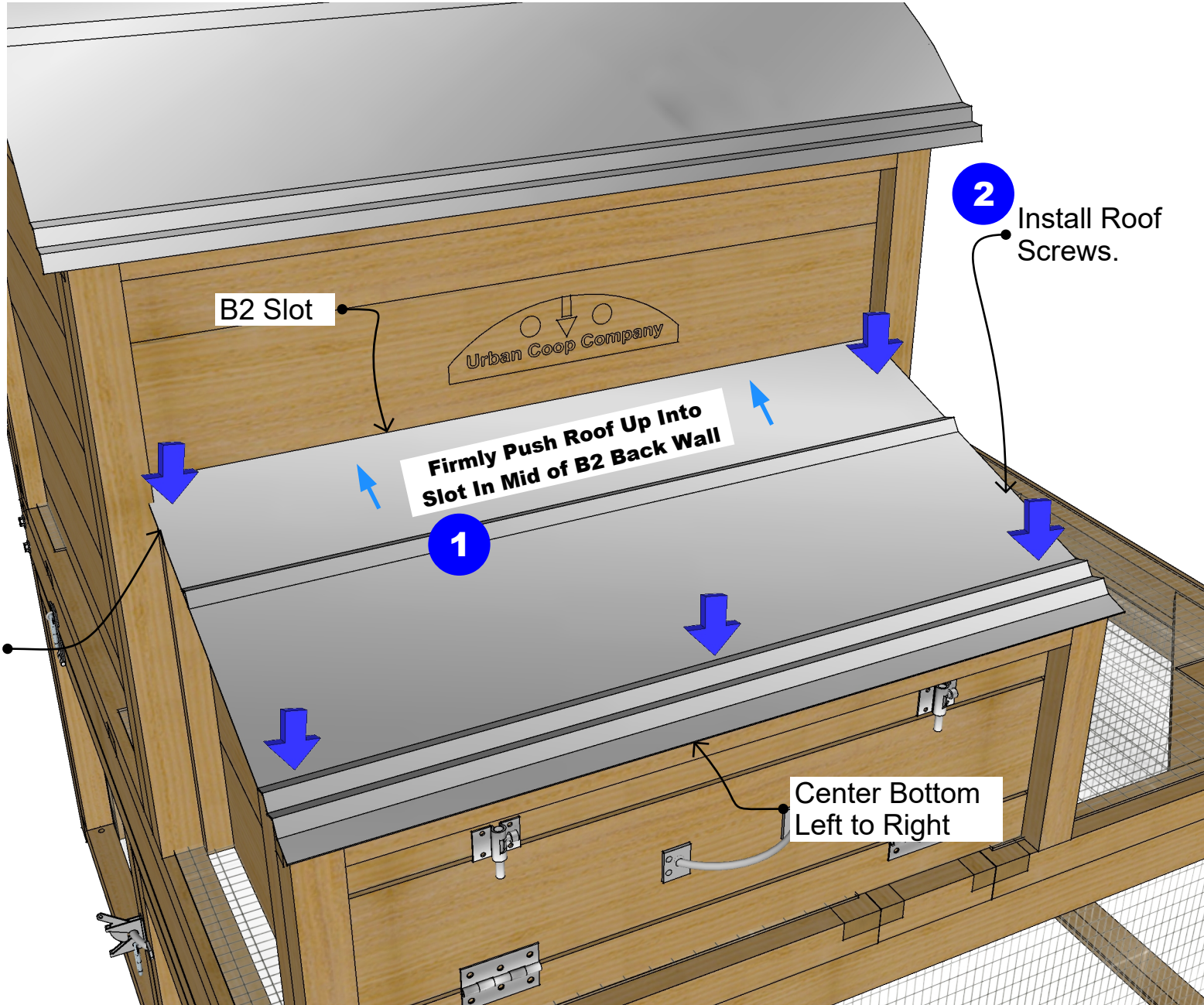
Egg Box Roof



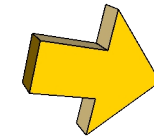
Tighten just enough to compress rubber washer.



Ridges In Roof Metal Point Up

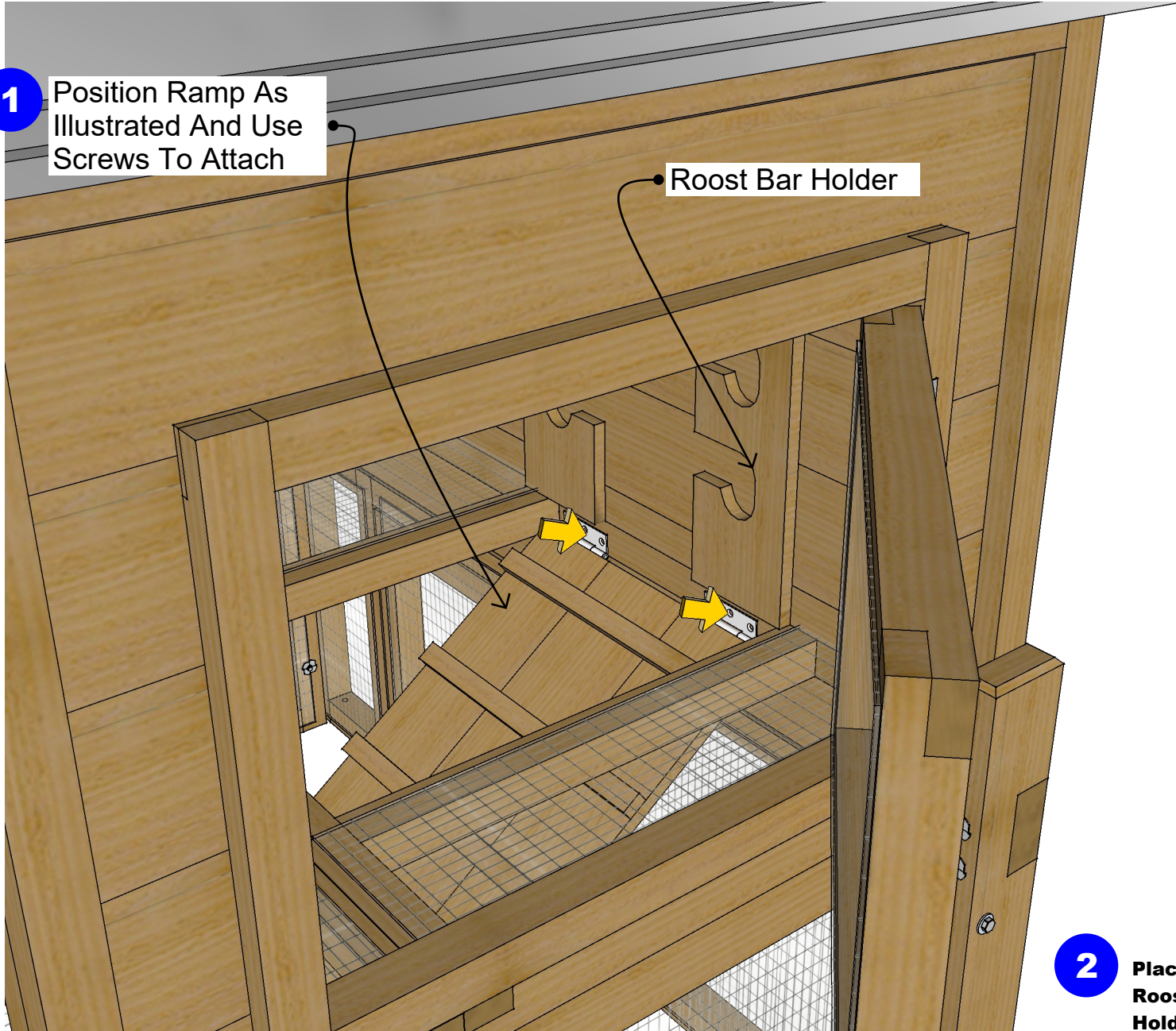


Attach Roost Ramp

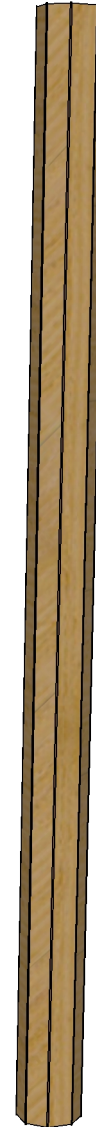


1 Position Ramp As Illustrated And Use Screws To Attach

Roost Bar Holder



2 Place the 2 B6 Roost Bars Into The Holder.



Roost Bar Info: Higher positions are for normal sized hens and provide best weather protection. Lower positions are for either bantam sized birds that don't jump well, or giant breeds that require more head room.

Attach Roost Door Hardware



Small Pan Head Screw



Bit



Attach catch in pre-drilled holes. Squeeze if needed to get holes to line up.

1

Attach door side of catch too, making sure to align for smooth operation.

2

Use safety clip to make sure door stays locked.

3




You can re-install the brown shipping screw in the door to temporarily hold it stable for you if that helps.

Yard Board Install



 **All outside edges flush.**

 **Skip this step if you ordered the optional planter box.**

1 Longer side board on eggbox side

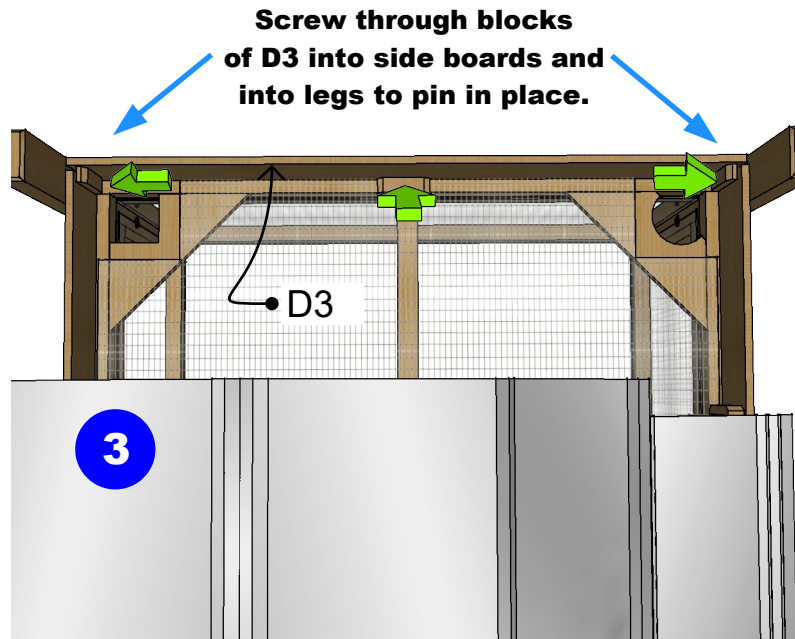
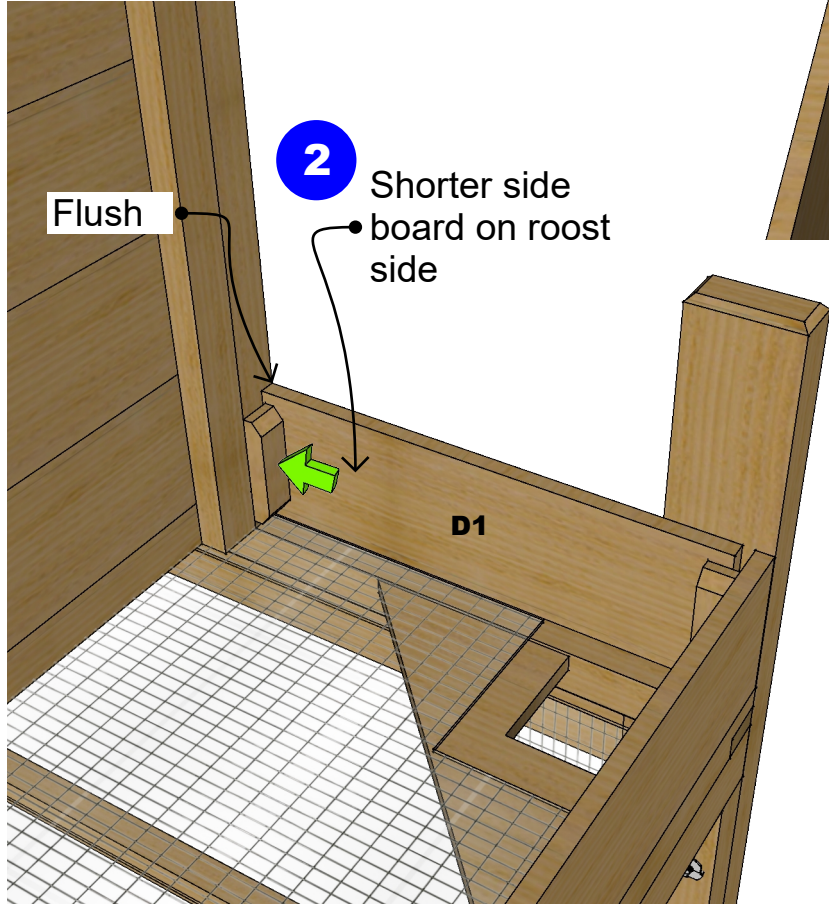
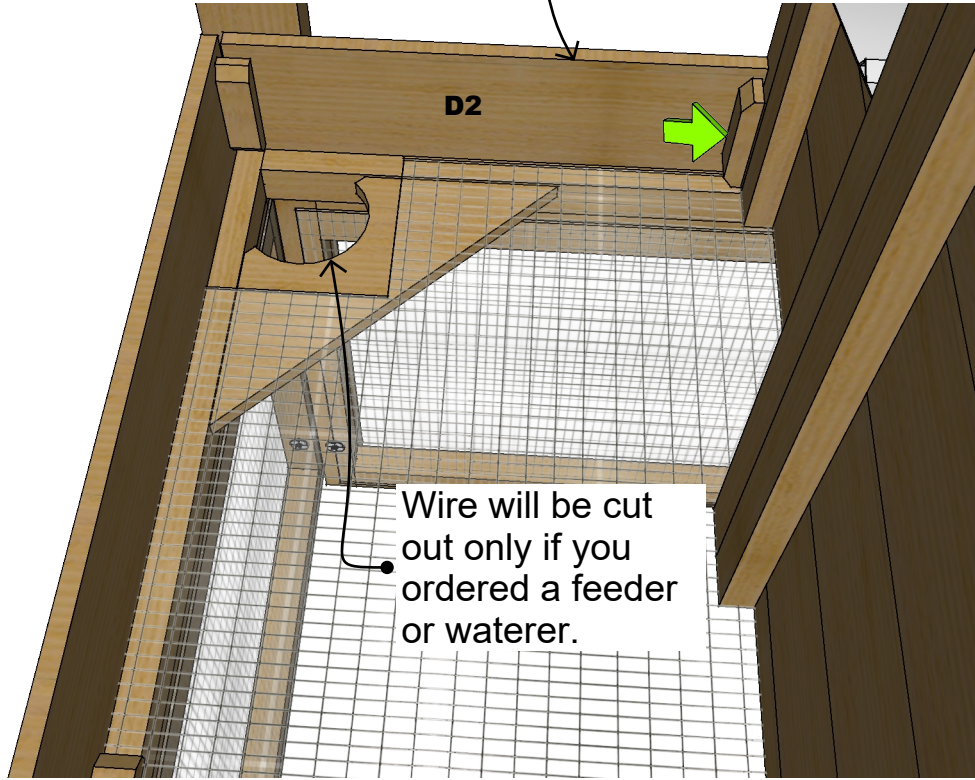




Fig 1A



Fig 1B




Fig 1C

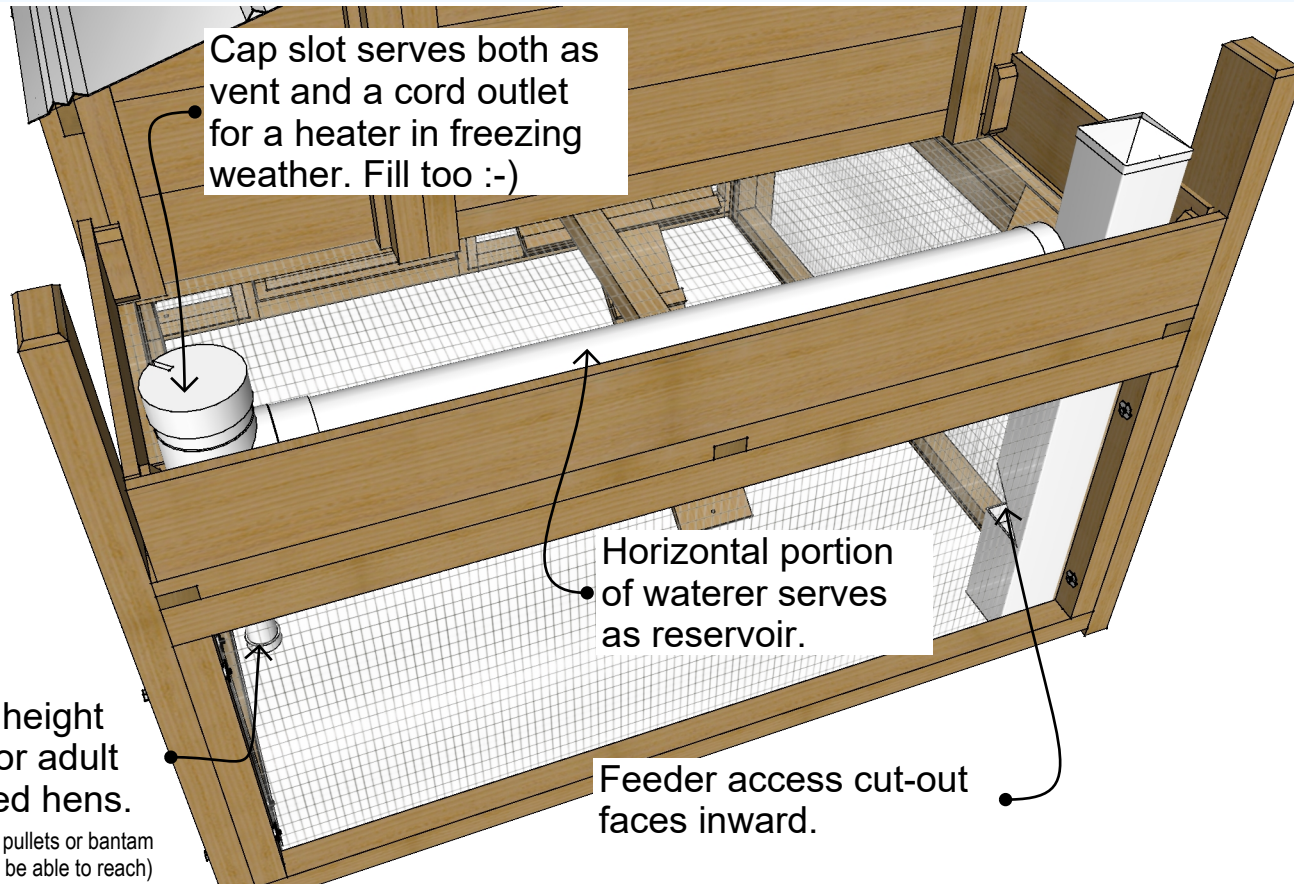


Fig 1D

Poultry nipple is shipped uninstalled to avoid damage...

- 1 **Fig 1A.** Insert the **black grommet** into bottom end of Waterer using a little vegetable oil rubbed on it if necessary. Make sure any debris from fabrication or shipping is clear of hole before inserting grommet. Press firmly and rotate several times to fully seat.
- 2 **Fig 1B.** Insert the **red nipple** into **black grommet**, again, using a little vegetable oil rubbed on it if necessary. You will likely need to protect your hand with a rag to be able to push hard enough. Rock back and forth and force into grommet until fully seated as shown in **Fig 1C**.
- 3 **Fig 1D** shows the bottom side of the Waterer that rests downward into the hole on top of the **A5** Outer Run Panel. See illustration below.
- 4 **Feeder |** Insert Feeder into square cut-out in **A5** Panel as illustrated below.

 **Openings for both water and feeder are left big because full, they're very heavy and it will make inserting them easier. The gaps are not an issue. Depending on how you assembled your coop, your waterer and feeder might be reversed.**



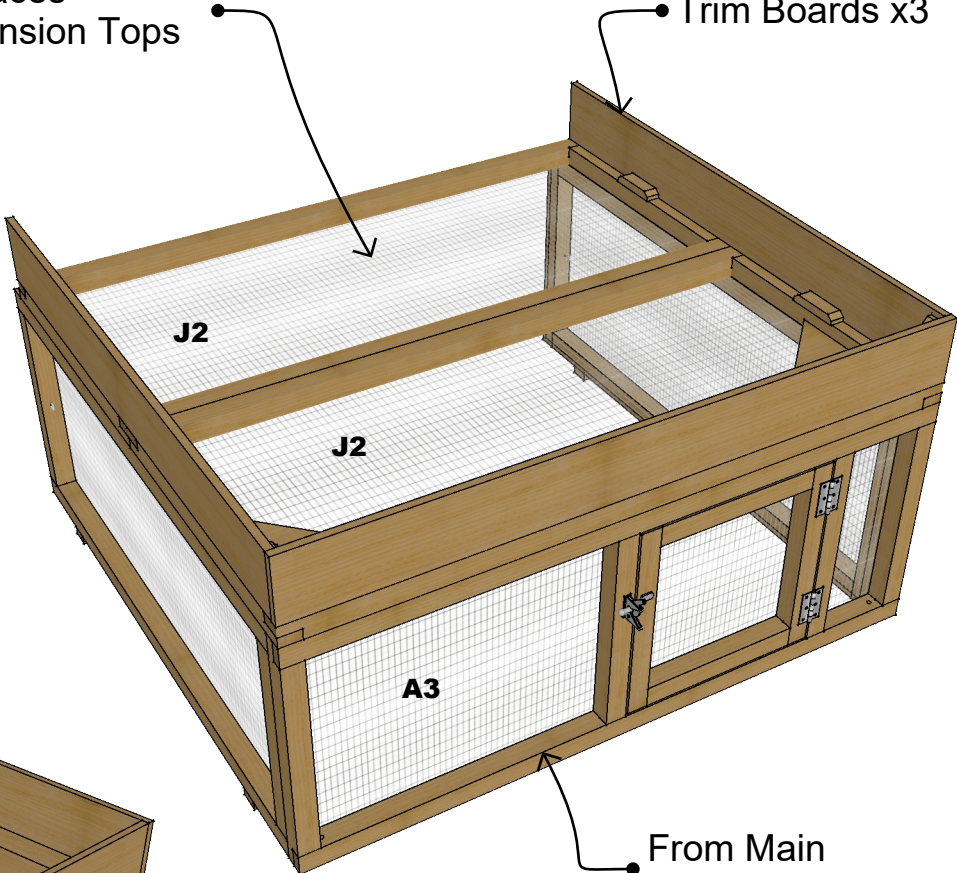
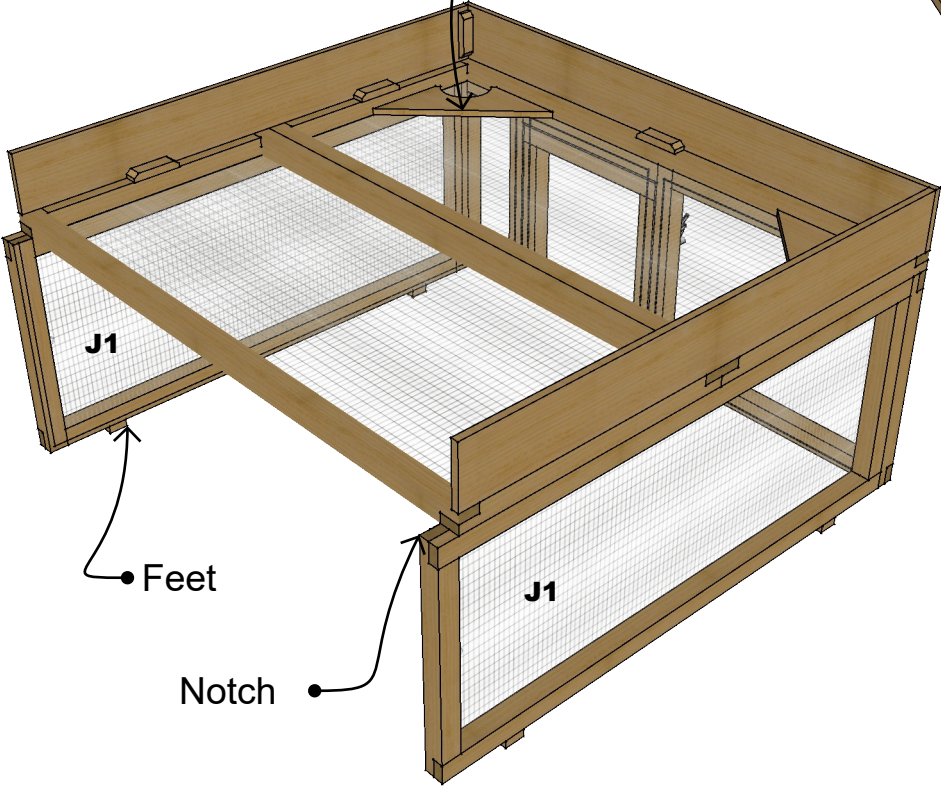
Addendum: Optional Run Extension

Extra Spots For Optional
Waterers & Feeders
In This J2 Top Panel.

Note: Wired closed if you did not order
optional waterer and/or feeder.

No Cross Braces
On Run Extension Tops

Trim Boards x3



Extra Extension Hardware:

- T25 Brown Screws x16+
- 1½ Gold Colored Screws x12+
- Hinged Hasps x2
- Safety Clips x2

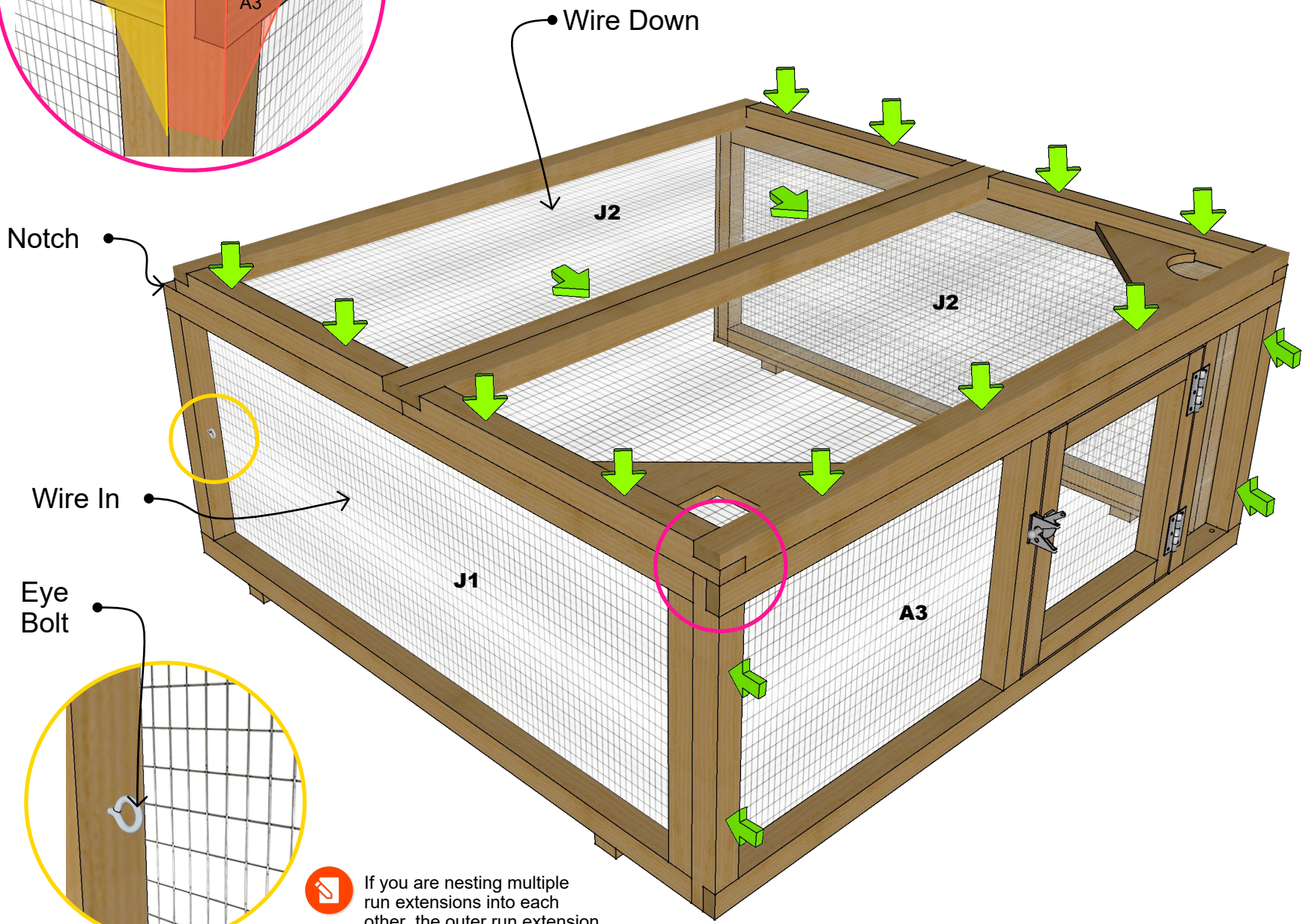
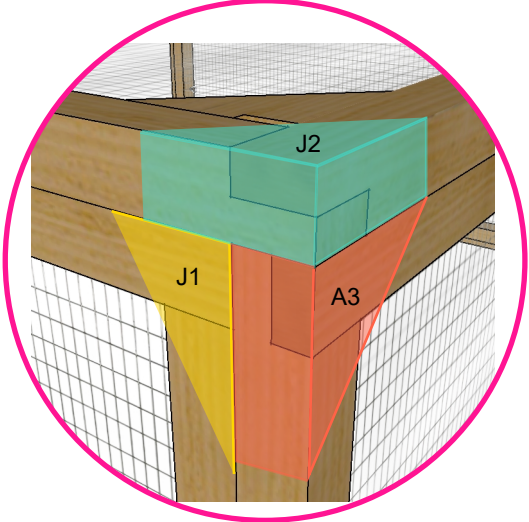
MADE IN **roost&root**
Find your inner farmer.™


Assembly Instructions
Round-Top Backyard Coop
V-H Fall 2022

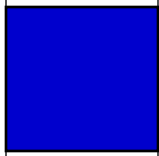
Step 15 - Optional
Run Extension

Page
30

Copyright © Roost & Root all rights reserved.



 If you are nesting multiple run extensions into each other, the outer run extension eye bolts will be in the outside edge of J1.

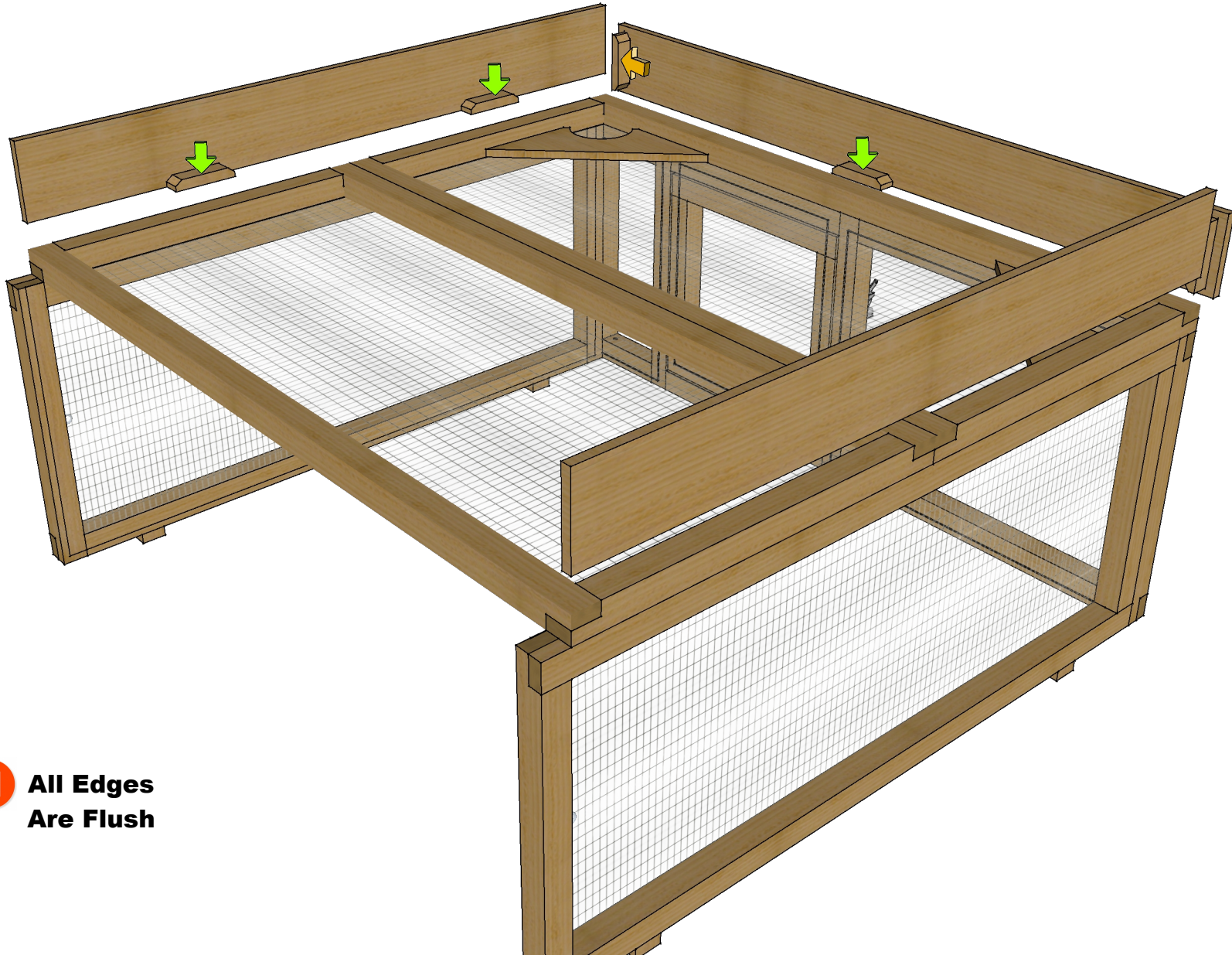




T25 Brown Screw



T20 Gold Screw



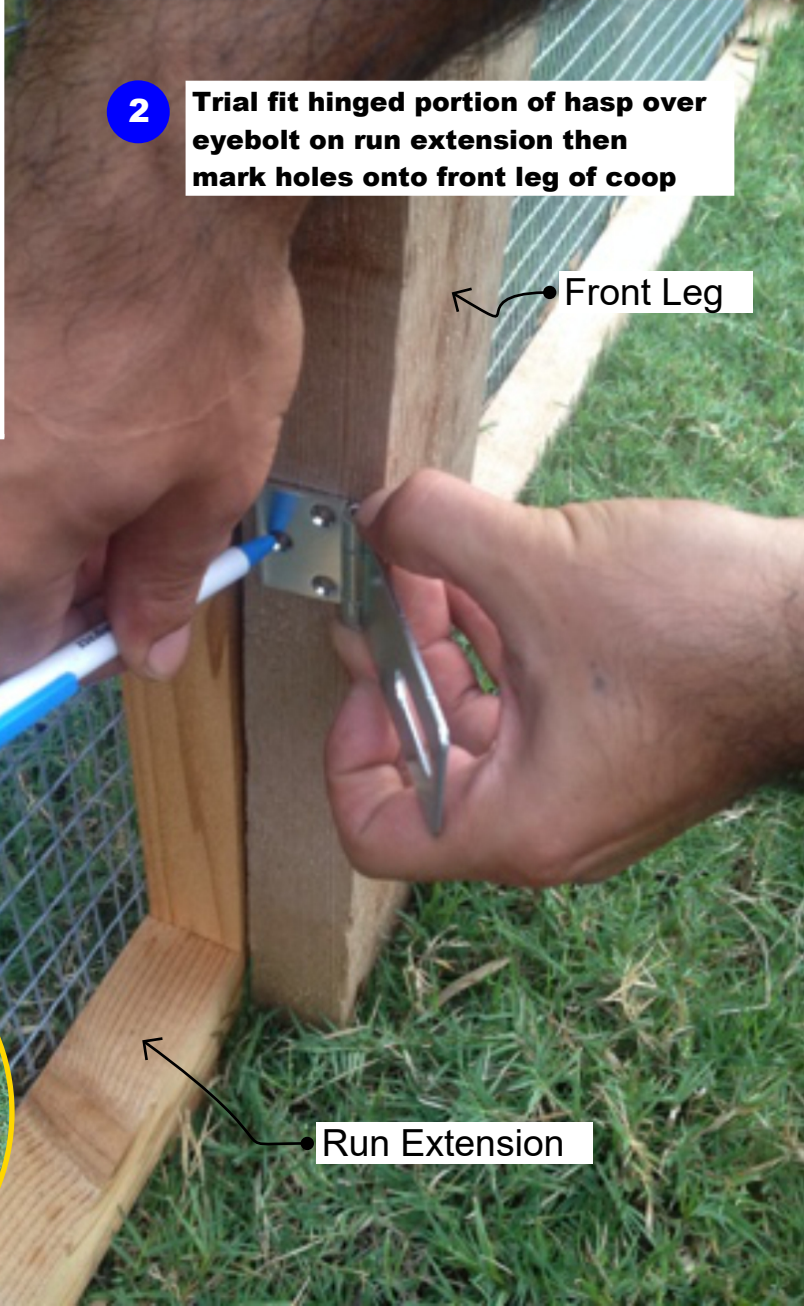
**All Edges
Are Flush**

Beauty Boards Omitted



1 Move assembled run extension into place.

T20 Gold Screw



2 Trial fit hinged portion of hasp over eyebolt on run extension then mark holes onto front leg of coop

Front Leg



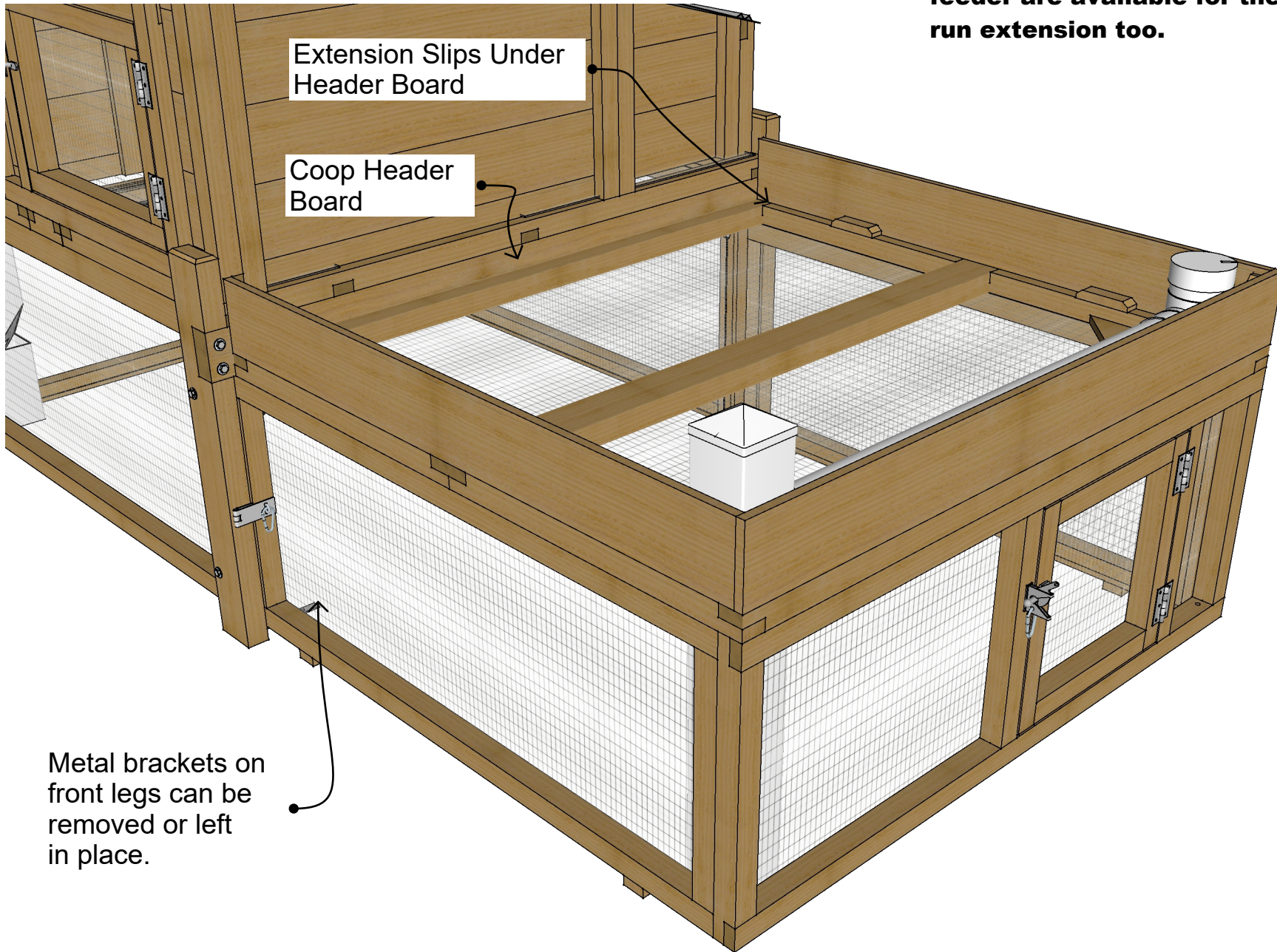
3 Use gold T20 screws to attach hinged portion of hasp to front legs of coop.



Run Extension



An optional waterer and feeder are available for the run extension too.

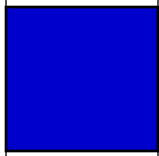
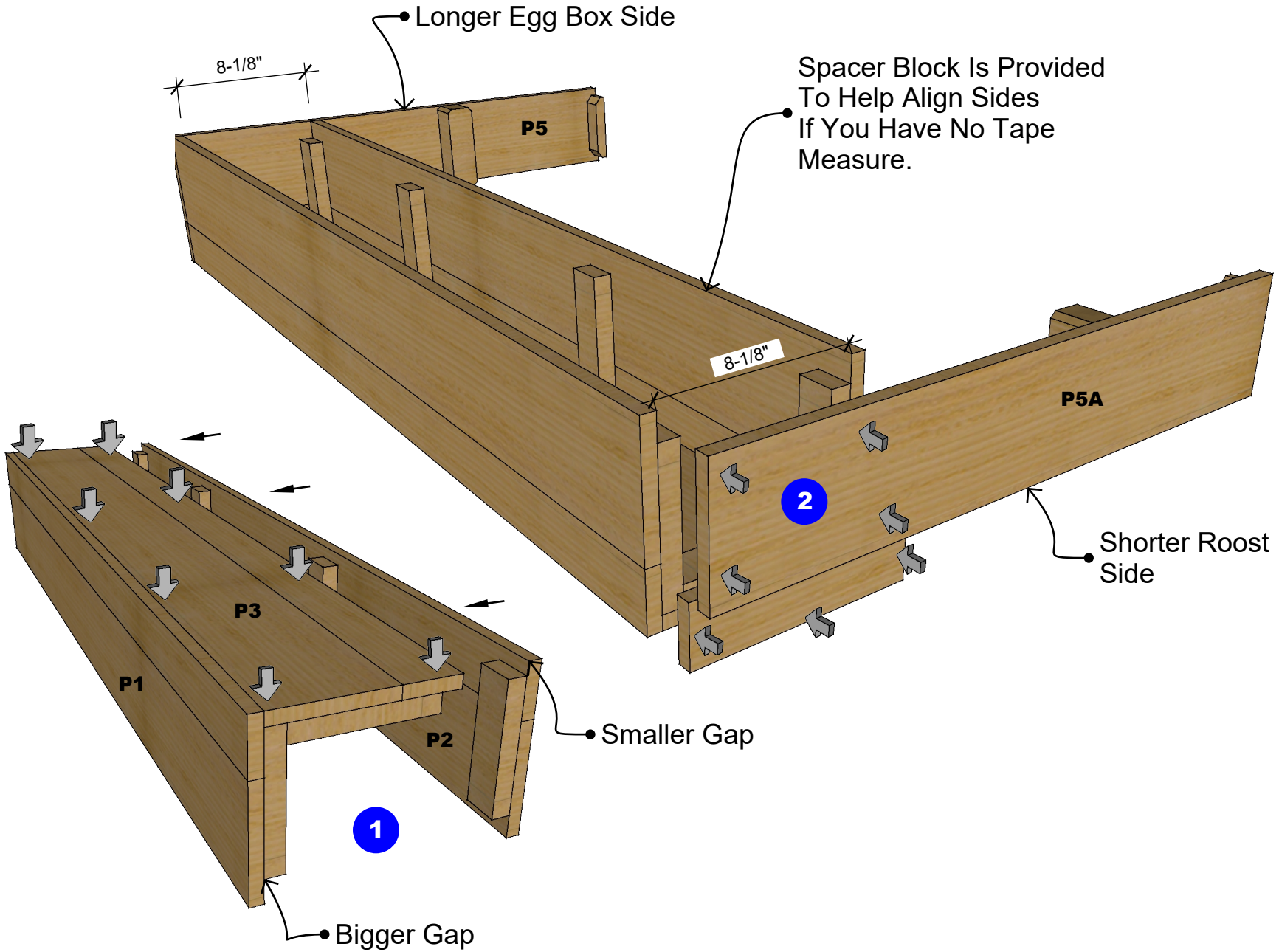


Metal brackets on front legs can be removed or left in place.



Flip and install the P5 or P5A support boards as needed to match the orientation of your roost house being on left or right side.

T-20 Green Screw



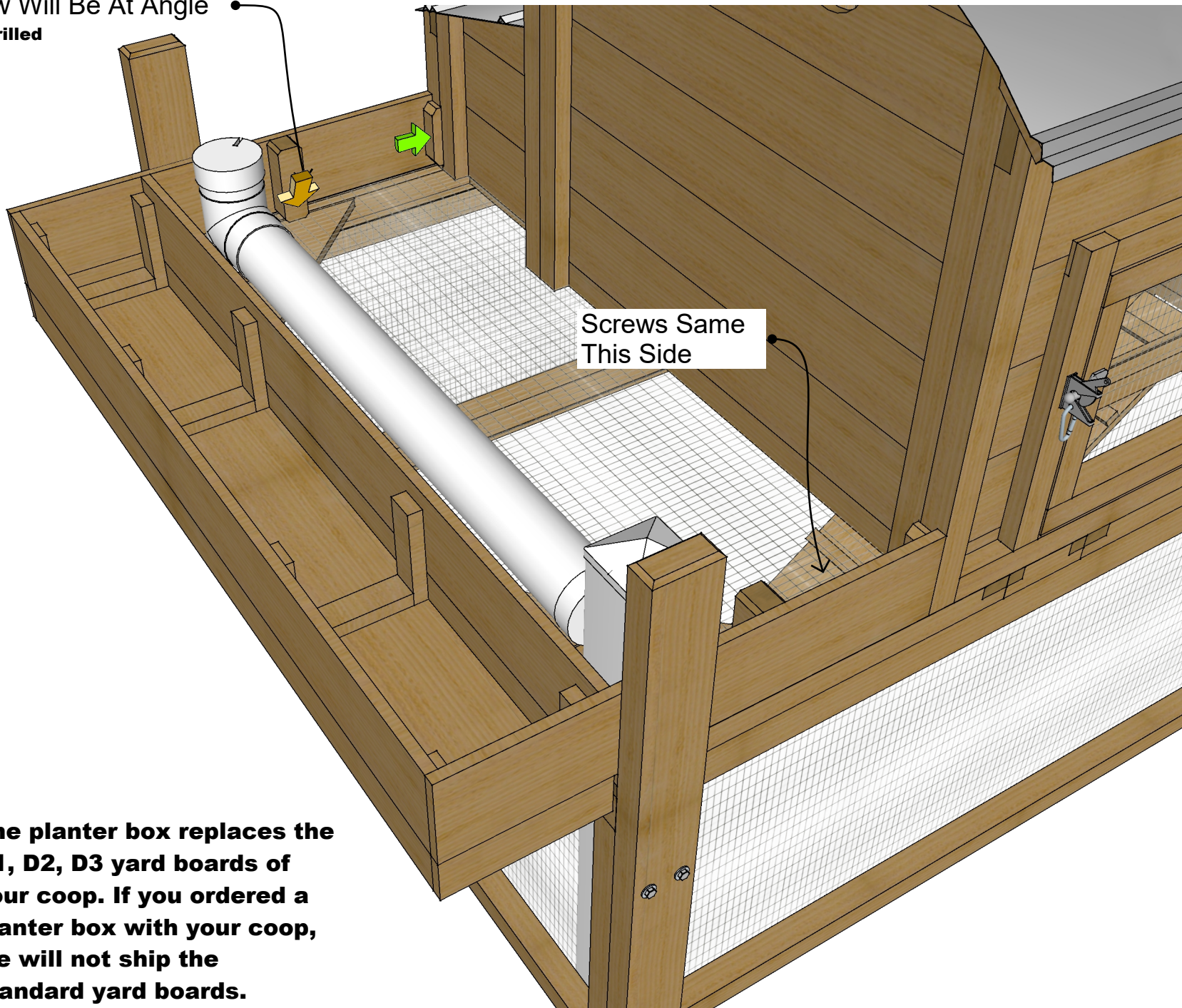


T25 Brown Screw



T25 Longer Green Screw

Screw Will Be At Angle
Pre-Drilled



Screws Same
This Side



The planter box replaces the D1, D2, D3 yard boards of your coop. If you ordered a planter box with your coop, we will not ship the standard yard boards.